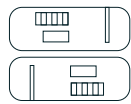


① What you will need

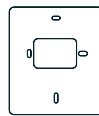
Parts



EXT-KA-SE200P



Sensor modules
x 2



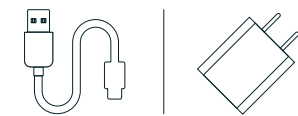
Electrical box
mount



Electrical box
screws (US) x 2

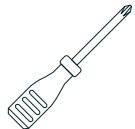


Fastening
screws x 2



USB cable & Charger
(Power via USB-C only)

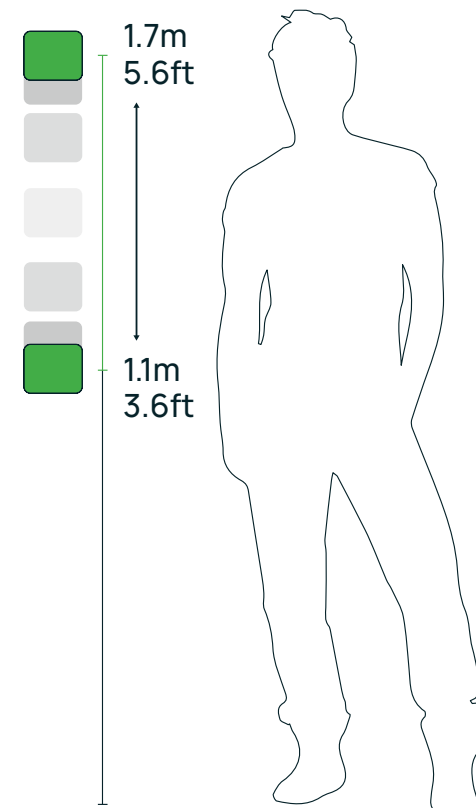
Tools



Cross screwdriver

2 Where to place?

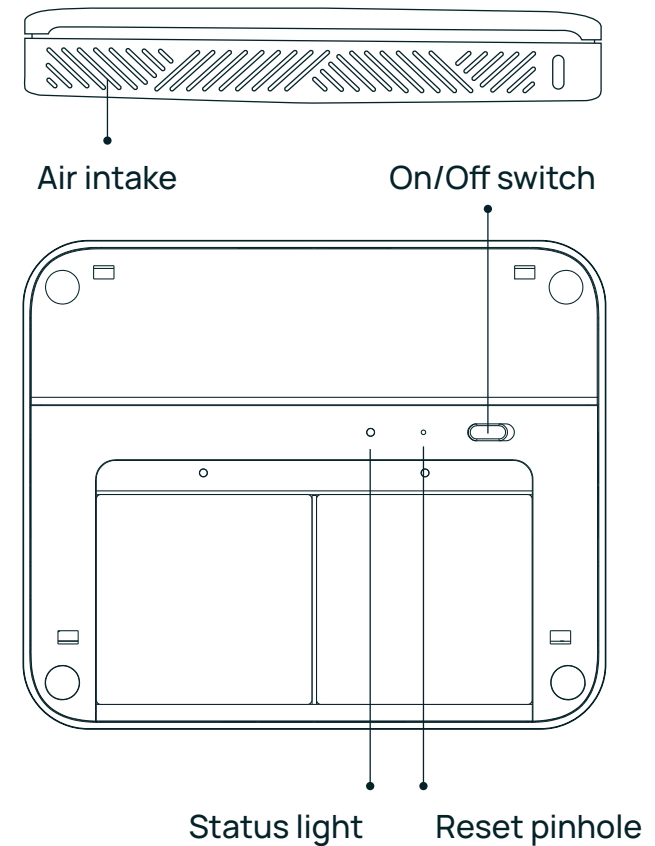
Install your device in occupied space at 1.1-1.7m (3.6-5.6 ft) above the floor (away from doors, windows, air supply and zones where occupants may exhale directly into the sensor). Please make sure that your desired mounting location is close to a power source.



3 Know your device

Remove the front cover, and you will find the ON/OFF switch and RESET pinhole, as well as a device status light.

Air is drawn from the lower side, as well as the air intake on the upper side. It is vital that neither side of the device is covered. Any changes in airflow may affect the readings and accuracy.

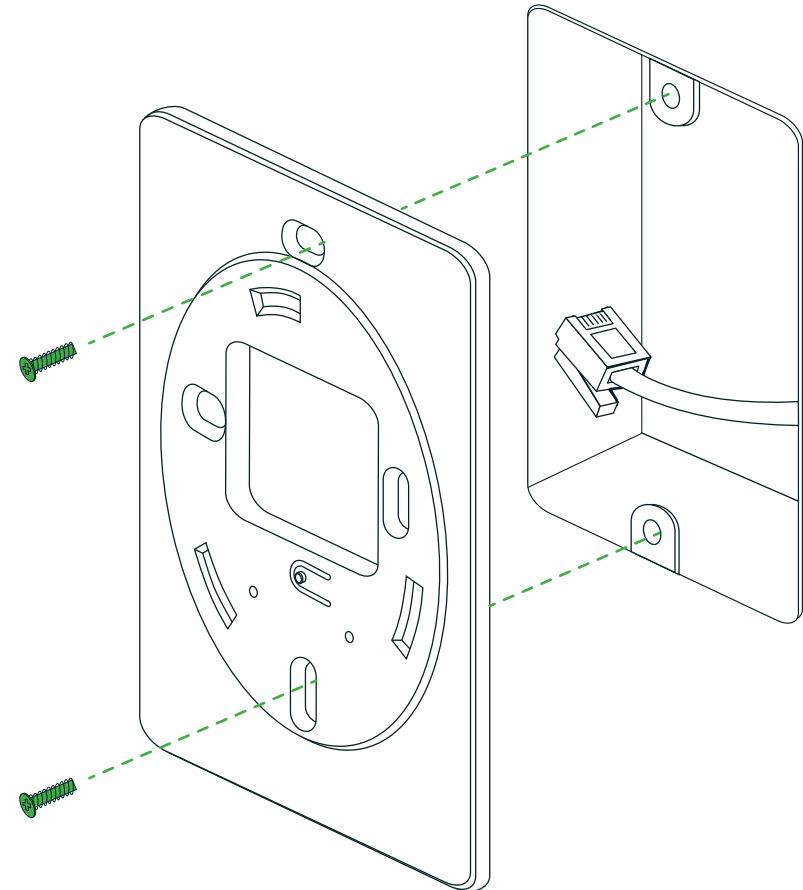


4 Install the Electrical Box Mount

Find the Electrical Box Mount (rectangular shaped) included in the packaging. Line up the plate with your in-wall electrical box and mount it in place using provided Electrical Box Screws and the two screw holes indicated below.



Electrical box screws (US) x 2

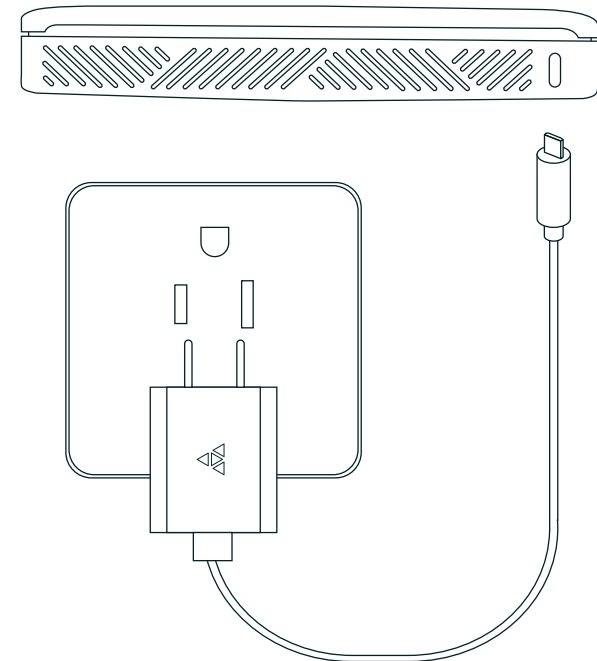


5 Choose your power option

The device supports both USB-C and direct wiring power options. Choose the power option best suited for your project and follow the instructions accordingly.

A. Power the device with USB-C cable and adapter

Power by connecting the device to a charging port using the USB-C cable and adapter. The charging port is located at the bottom of the device.



B. Power the device via direct wiring

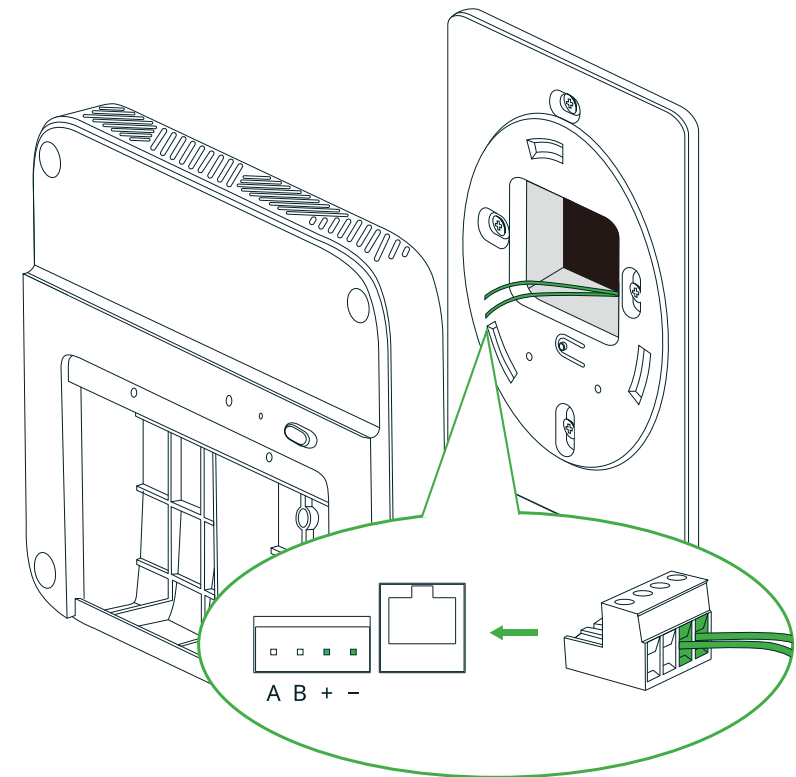
IMPORTANT SAFEGUARDS

- Please use a power source within the range in the product specification. Please contact the facility manager or other responsible personnel if the power source specification is not clear.
- The device must be installed by certified electricians or other authorized personnel ONLY. When installing the device, ALWAYS follow safety precautions to reduce risk of fire, electric shock, injury to persons.
- Make sure the power is cut off before proceeding!

Direct Wiring

To power your device via direct wiring, connect your electrical wires from your low voltage transformer to a 4-pin Phoenix pin plug. Check the “+” “-” marks on the back of the device to make sure the wires are connected in the right order, and fasten the screws on the Phoenix pin plug to secure the wires.

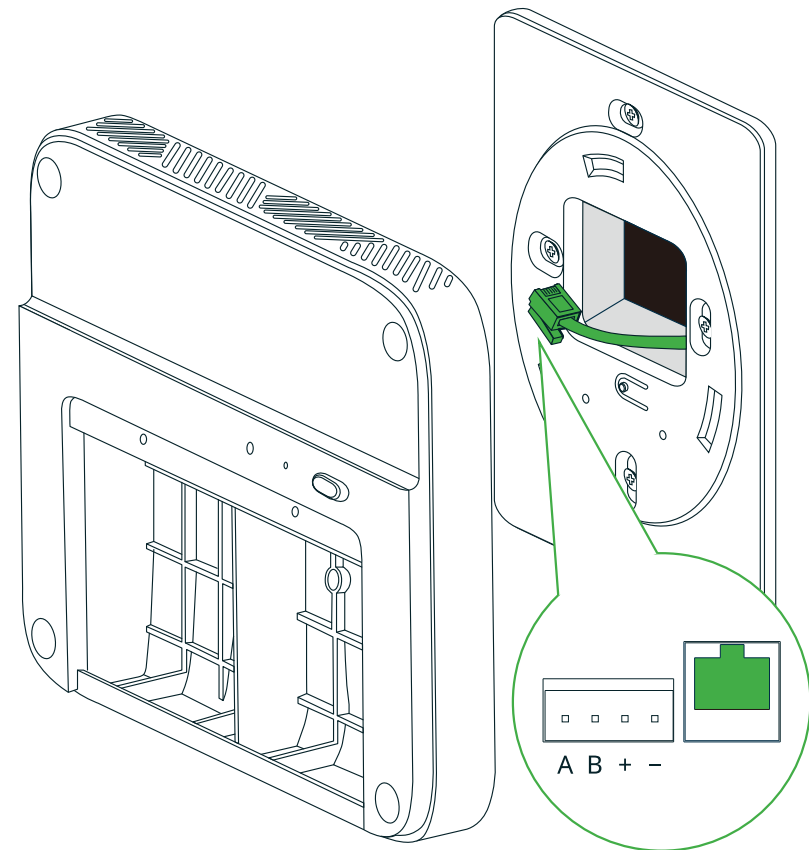
Run the wires through the opening on the plate, and plug the 4-pin Phoenix pin plug into the corresponding terminals on the back of the device.



C. Power the device via PoE

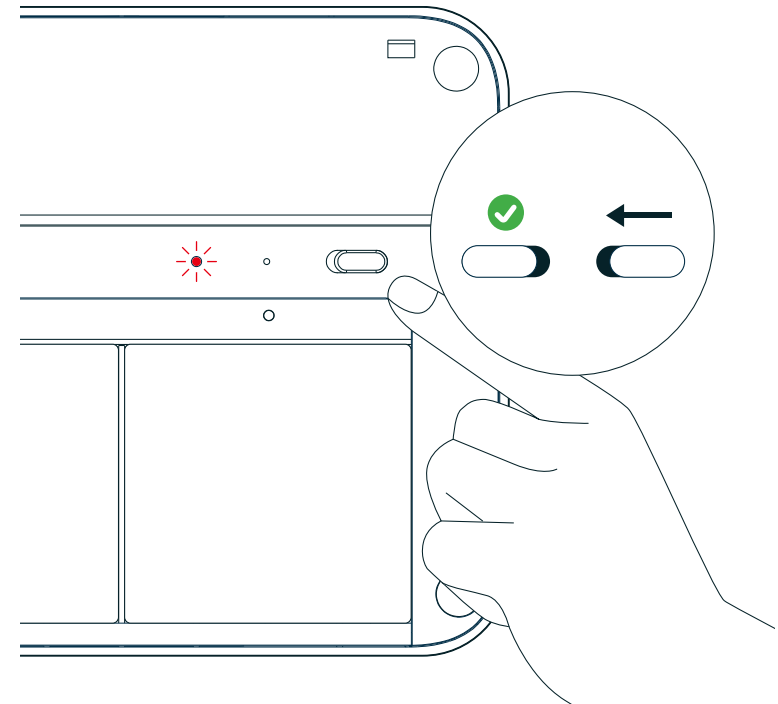
You can also choose to power the device via PoE.

Run your Ethernet cable from your PSE (Power Sourcing Equipment), through the opening on the plate, and into the Ethernet port on the back side of the device. Once the device is connected to the ethernet cable, configure your PSE accordingly. Consult your IT department for PSE configuration details.



6 Turn on the device and check for power connection

Move the ON/OFF switch to turn on the device.
The STATUS light will go on briefly to indicate the device has been powered on.

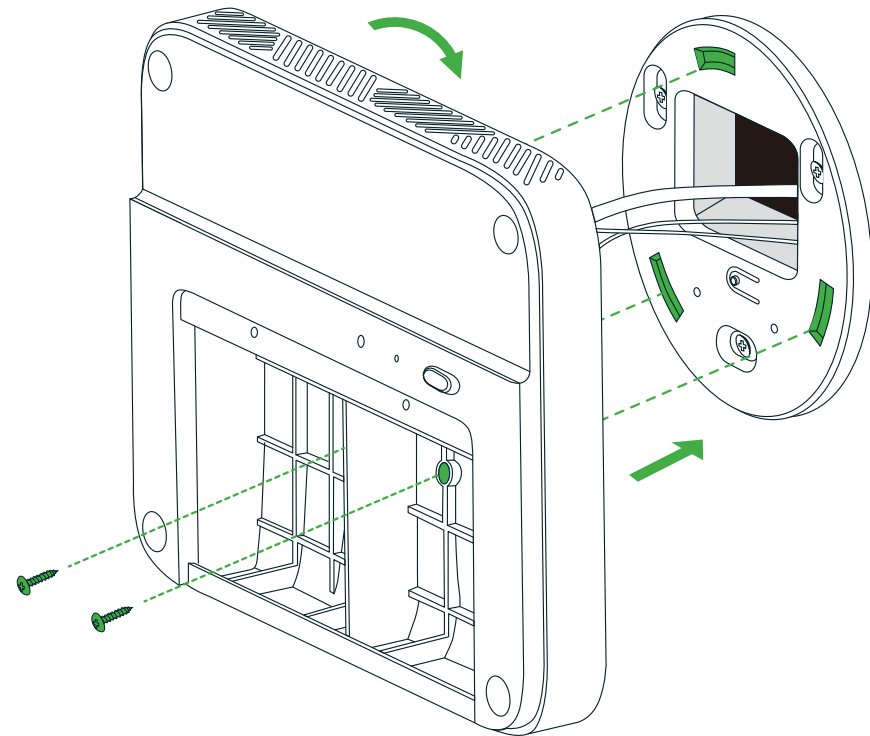


7 Secure the device in place

You will find three slots on the plate and three corresponding protrusions on the back of the device. Line the device up with the plate such that the protrusions are inside the corresponding slots. Rotate gently to secure the device and lock it in place, and use the two fastening screws to fasten the device to the plate.



Fastening screws x 2

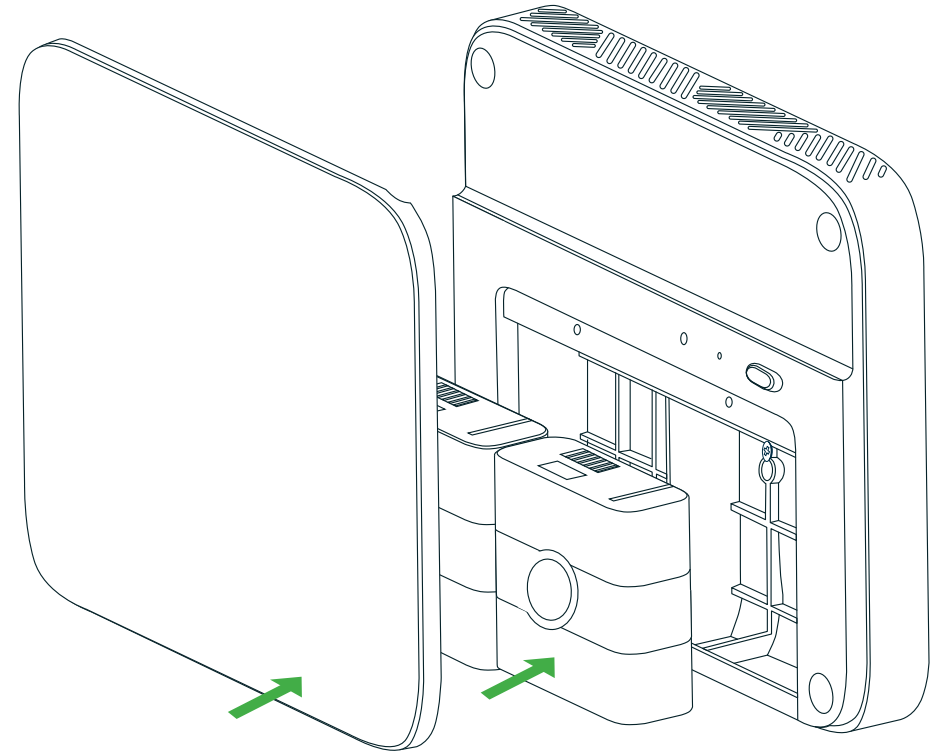


8 Install the modules

To install the sensor module, simply align it with the bay and press it in, ensuring the logo on the plastic tab is facing outwards.

When inserted correctly, the module will click into place, and an LED light above the bay will briefly flash red if the device is powered on.

Sensor modules may be inserted in either sensor bay, and in any order. After successfully installing the modules, put the front cover on.



9 Complete Electrical Box Mount Installation!

You have completed the installation process.