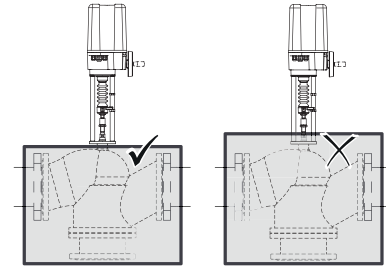
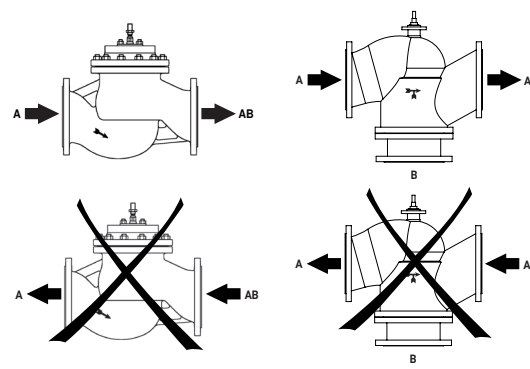
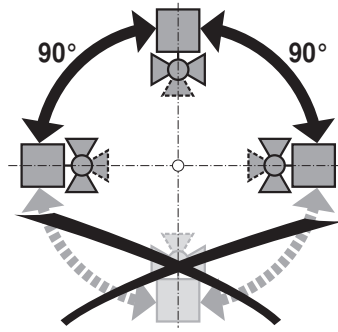




70994-00001.L

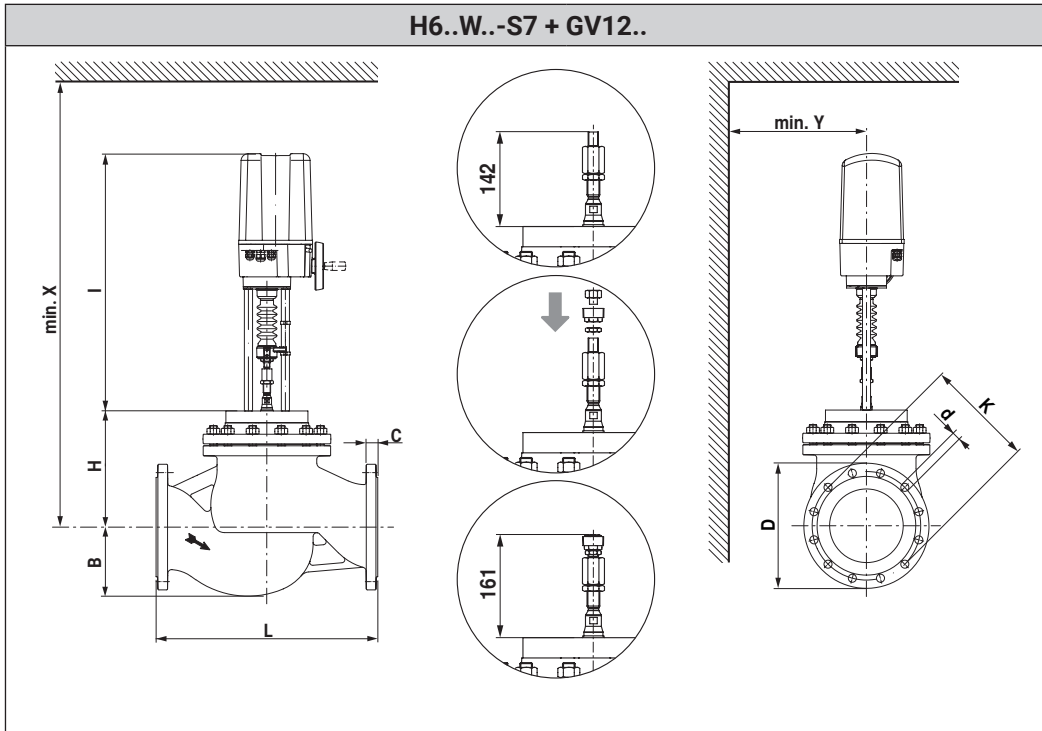


H6..W..-S7
H7..W..-S7

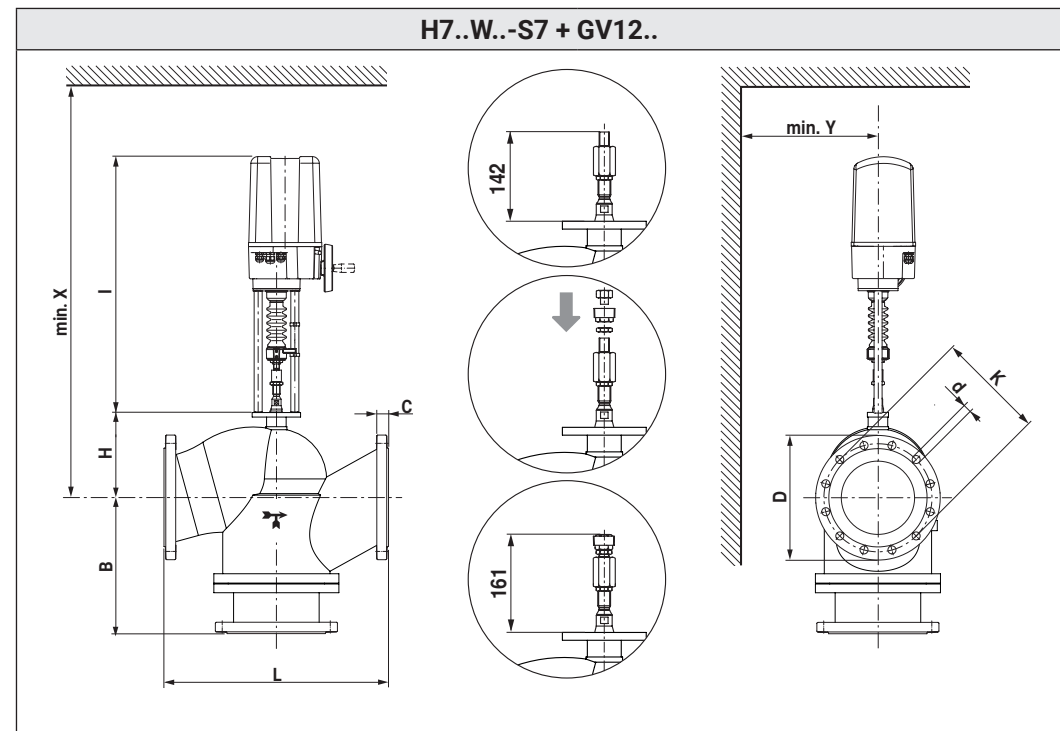


		H6..W..-S7					H7..W..-S7											
Ps < 1600 kPa (PN 16)		→ A \blacktriangleleft AB					→ A \blacktriangleleft AB B											
t = +5°C ... +120°C																		
Ⓜ	DN		B	H	I	W		B	H	I	W	L	D	K	d	C	X	Y
	[mm]		[mm]	[mm]	[mm]	[mm]		[mm]	[mm]	[mm]	[mm]	[mm]	[mm]	[mm]	[mm]	[mm]	[mm]	[mm]
GV12..	200	H6200W630-S7	187	315	681	156	H7200W630-S7	379	236	681	173	600	340	295	12 x 22	30	1210	200
	250	H6250W1000-S7	233	375	621	239	H7250W1000-S7	439	282	681	283	730	405	355	12 x 26	32	1270	250

H6..W..-S7 + GV12..



H7..W..-S7 + GV12..



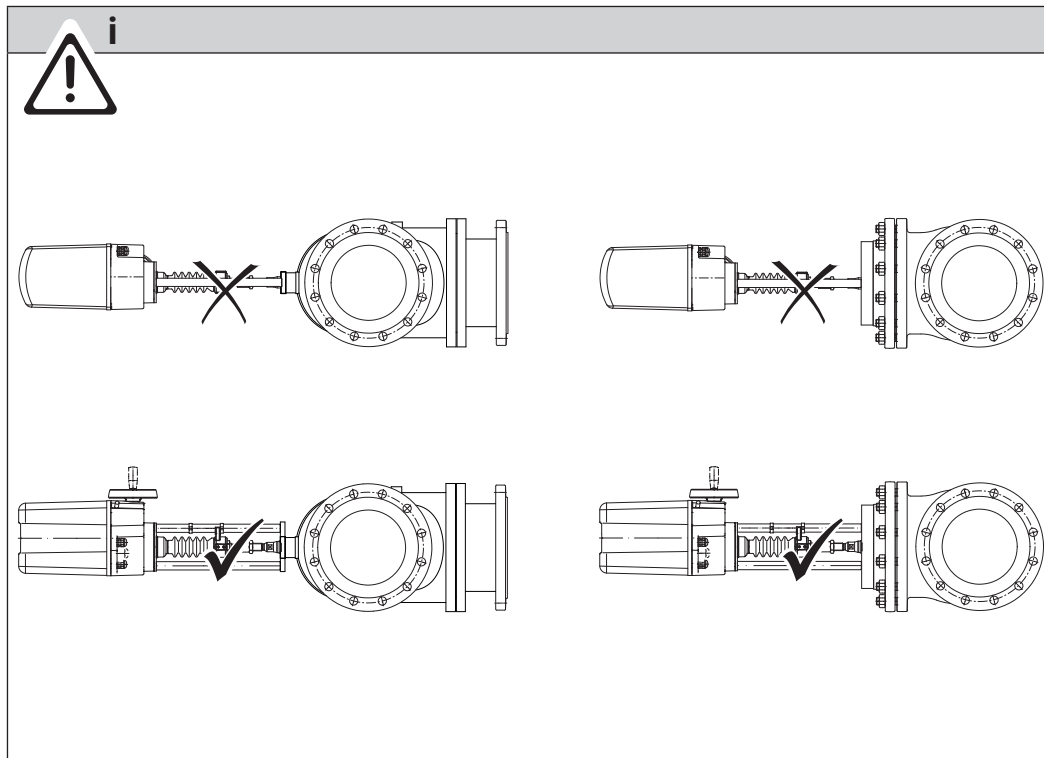
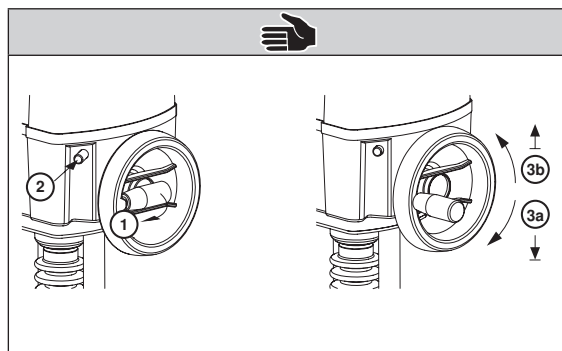
BELIMO

BELIMO Automation Ltd
Brunnenbachstrasse 1
8340 Hinwil
SWITZERLAND



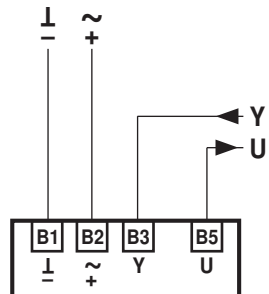
GV12-24-SR-T
GV12-230-3-T

Length	Cable Cross-section
5 m	0,50 mm ²
10 m	0,75 mm ²
15 m	1,50 mm ²
20 m	1,50 mm ²
25 m	2,50 mm ²
30 m	2,50 mm ²
35 m	2,50 mm ²
40 m	4,00 mm ²
45 m	4,00 mm ²
50 m	4,00 mm ²
55 m	4,00 mm ²

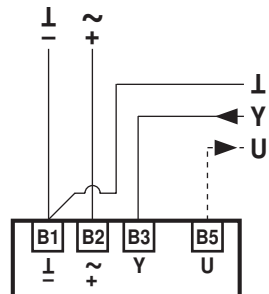


GV12-24-SR-T

AC/DC 24 V



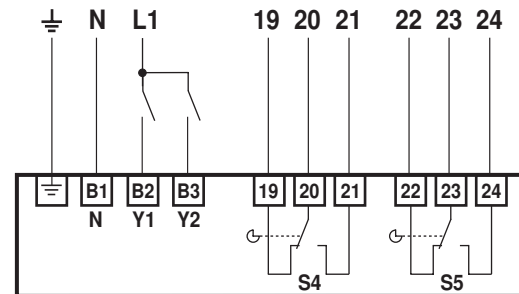
AC/DC 24 V



	◀	▶	A - AB
Y = 0 / 2 V	↓	↑	0%
Y = 10 V	↑	↓	100%

GV12-230-3-T

AC 230 V



	(M)	A - AB	A - AB
Y1	↓	0%	100%
Y2	↑	100%	0%