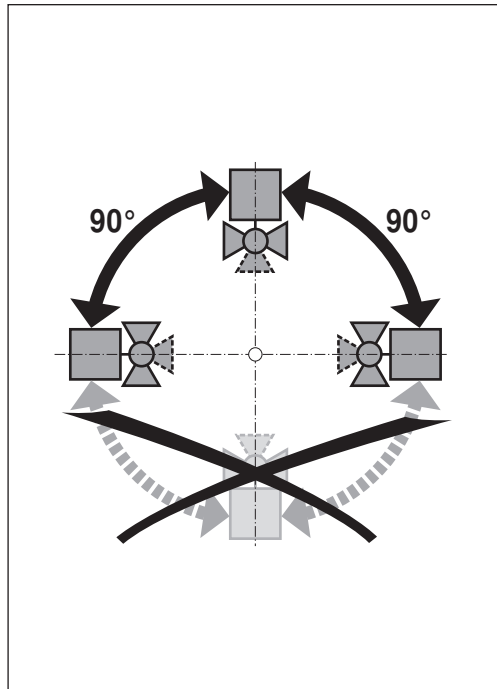
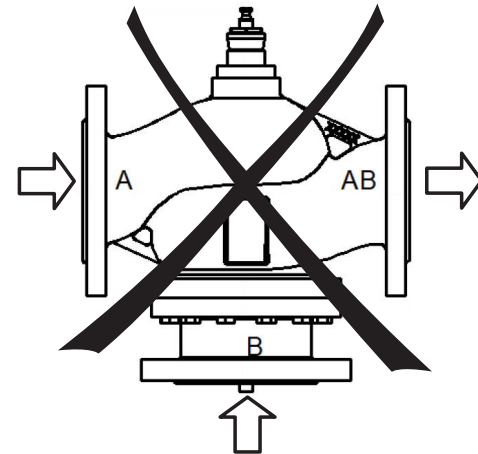
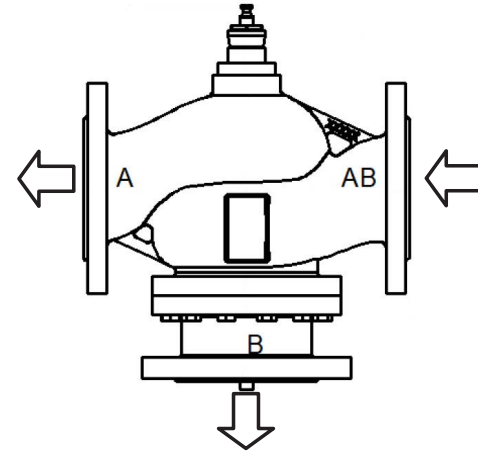


H7..D-..

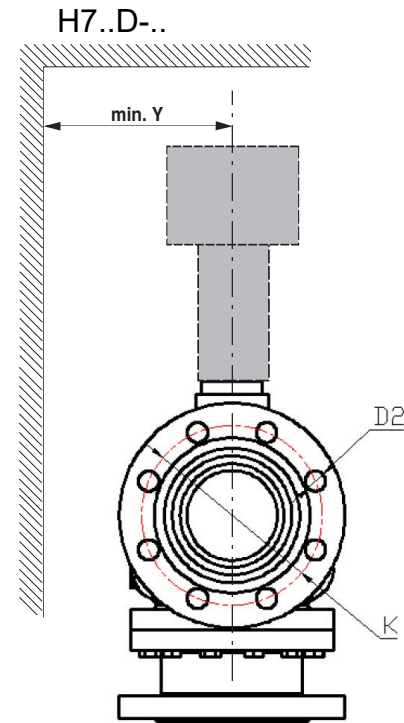
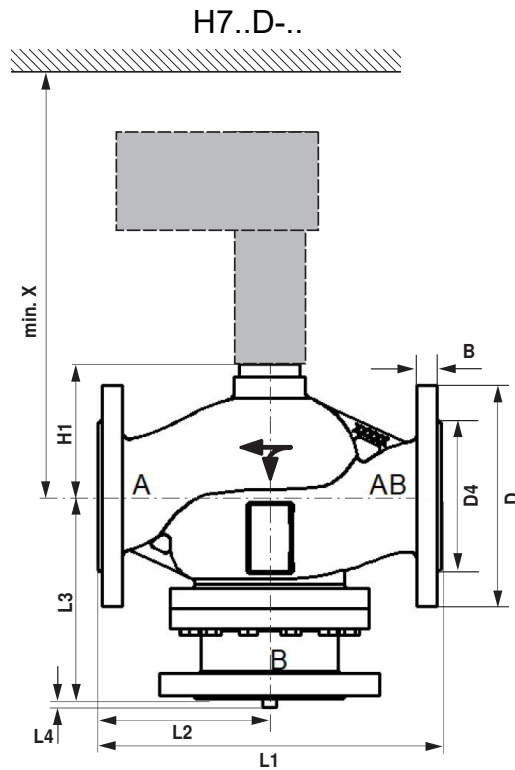


H7..D-..



70710-00001-A





## H7..D..

ps <1600 kPa (PN16) t= 0... +150 °C			H7..D-..	SV..A.. 1500N		AVK..A.. 2000N		EV..A.. 2500N		RV..A.. 4500N													
DN	Inch.	Hub / Stroke [mm]		$\Delta ps$ [kPa]	$\Delta pmax$ [kPa]	$\Delta ps$ [kPa]	$\Delta pmax$ [kPa]	$\Delta ps$ [kPa]	$\Delta pmax$ [kPa]	$\Delta ps$ [kPa]	$\Delta pmax$ [kPa]	B [mm]	D [mm]	D2 [mm]	D4 [mm]	K [mm]	L1 [mm]	L2 [mm]	L3 [mm]	L4 [mm]	H1 [mm]	X [mm]	Y [mm]
65	2-1/2"	20	H765D-Q	220	220							20	185	4-19	118	145	290	145	156	0	104.5	315	145
80	3"	30	H780D-R			200	200	200	200	200	200	22	200	8-19	132	160	310	155	185	4	120	445	150
100	4"	40	H7100D-S					200	200	200	200	23	220	8-19	156	180	350	175	202	22	137	465	160
125	5"	40	H7125D-T					110	110	150	150	24	250	8-19	184	210	400	200	240	18	157	485	175
150	6"	40	H7150D-T					60	60	100	100	25	285	8-23	211	240	480	240	270	8.5	171	500	195
200	8"	40	H7200D-U							80	80	26	340	12-23	266	295	500	250	318	0	185	510	220