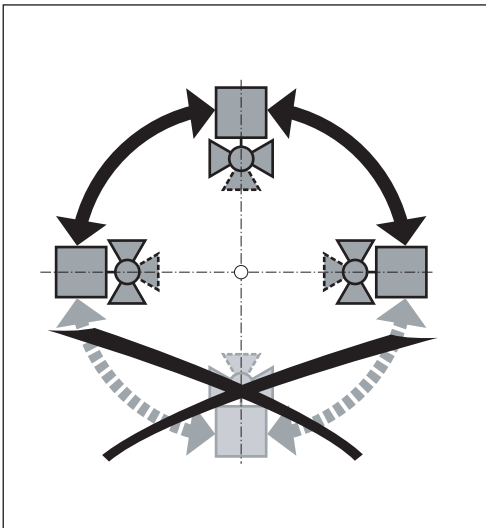
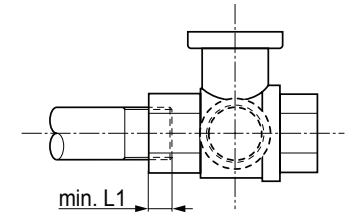
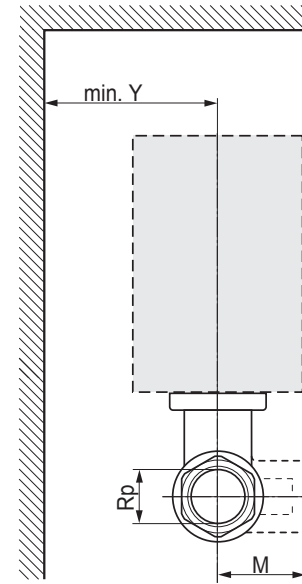
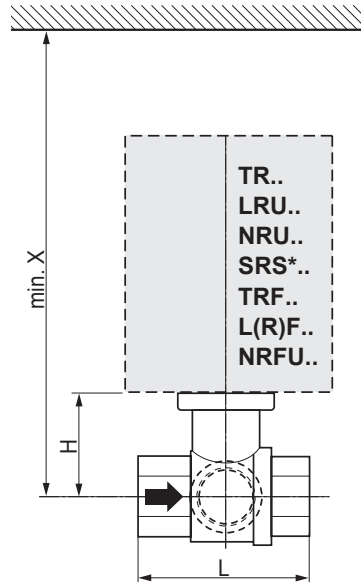
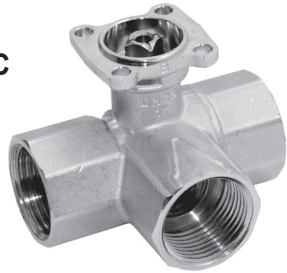

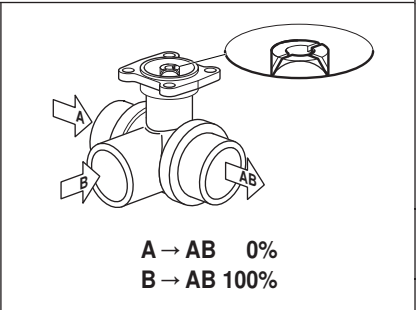
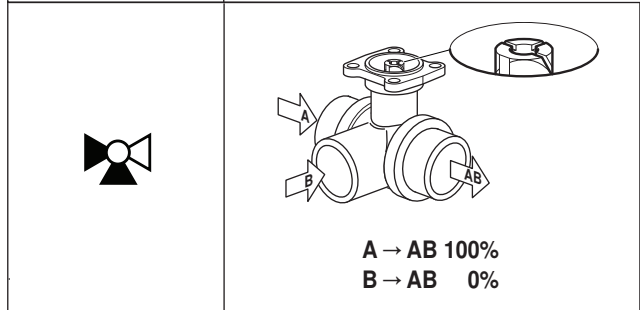
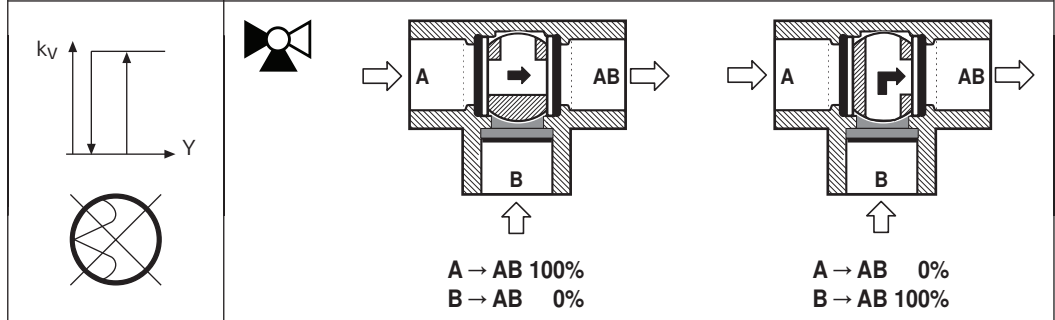
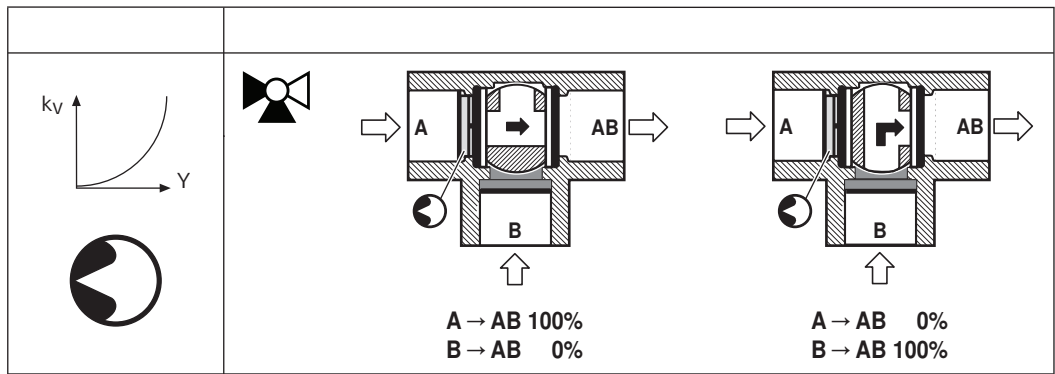


R3..AC



	DN		mm																			
			Rp						TR..		LRU..		NRU..		SRS*..		TRF..		L(R)F..		NRFU..	
	mm	in		L	H	M	L1	X	Y	X	Y	X	Y	X	Y	X	Y	X	Y	X	Y	
R305AC...R315AC	15	1/2"	1/2"	67	44	36	13	184	75	198	75	230	80	230	80	190	80	203	90	220	90	
R317AC...R320AC	20	3/4"	3/4"	78	46	41.5	14			201	75	235	80	235	80			205	90	225	90	
R322AC...R325AC	25	1"	1"	87	46	45	16			201	75	235	80	235	80			205	90	225	90	
R329AC...R330AC	32	1 1/4"	1 1/4"	105	46	55.5	19			201	75	240	80	240	80			205	90	225	90	
R331AC...R332AC	32	1 1/4"	1 1/4"	105	50.5	55.5	19					240	80	240	80					230	90	
R338AC...R340AC	40	1 1/2"	1 1/2"	111	50.5	56	19					237	80	240	80					230	90	
R348AC...R350AC	50	2"	2"	125	56	68	23					243	80	245	80					235	90	



Temp.	P_s	ΔP_{max}	
-5° C...+100° C	4140 kPa DN15...25	< 350 kPa	R305AC/R306AC R309AC/R310AC/R311AC R312AC/R313AC R317AC/R318AC R322AC/R323AC R329AC/R331AC R338AC R348AC
	2760 kPa DN32...50	< 1000 kPa	R315AC R332AC R320AC R340AC R325AC R350AC R330AC

