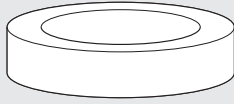
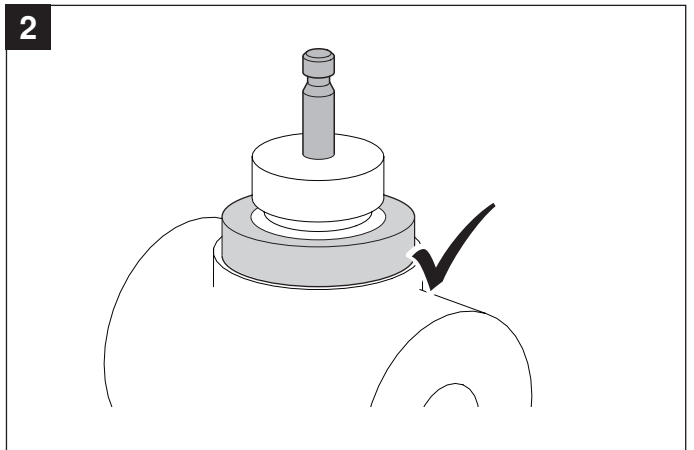
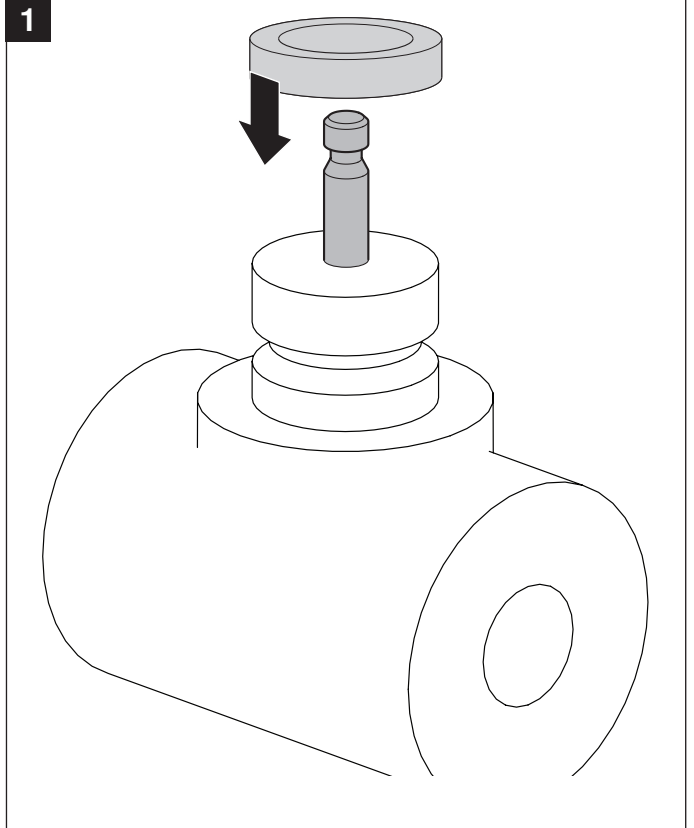


LDM

71680-00001.B



| LDM | DN min. / max. | t |
|----------------------|-------------------|------------|
| RV 102 E RV 103 E | 15 / 50 | 2...150 °C |



3

2

NV..A(-..)-RE
SV..A(-..)-RE

2

NVK..A(-..)-RE