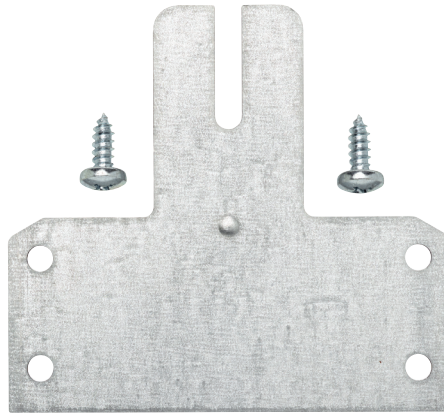


Base plate extension

- from SM..A to SM../AM..
- incl. 2 screws

**Technical data**

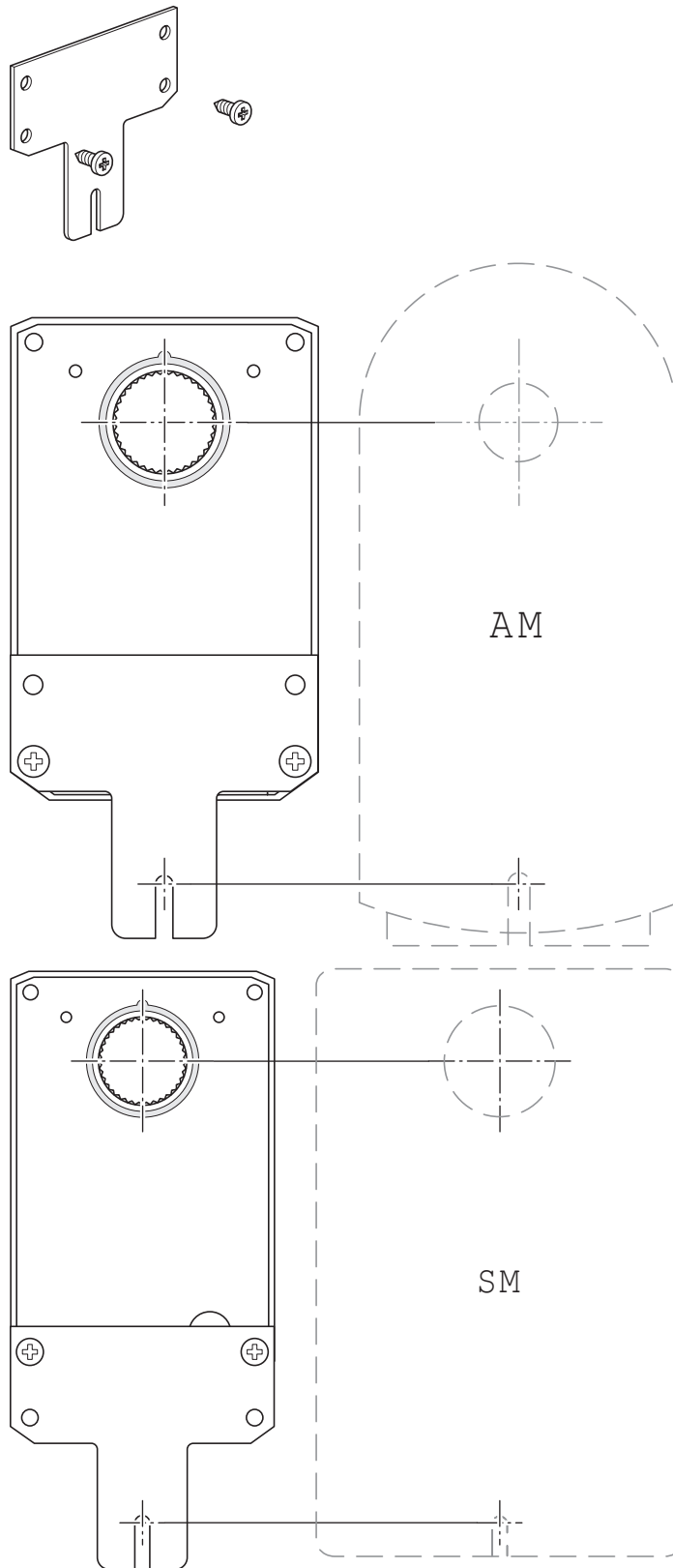
Weight	Weight	0.075 kg
	Packaging size	Multi-pack 20 pcs.

Product features

Used materials Galvanised steel

Product features

Application Suitable for SM..A, SMC..A, SMD..A



Dimensions [mm]

Dimensional drawings

