

BGVL Belimo Globe Valve Linkage

For Use with LV and SV Series Actuators



Technical Data	
Media	chilled or hot water and steam
Applicable Valve Size	1/2" [13], 3/4" [19], 1" [25], 1-1/4" [32], 1-1/2" [38], 2" [50]
Hardware	SS and Nickel plated steel
Frame, plate, base	aluminum
Coupling	GF Nylon supplied
Stroke	0.6" [15 mm] LV, 3/4" [20 mm] SV
Mounting Position	360°
Weight	1.1 lb [0.50 kg]
Media Temp Range (water)	Please Refer to Manufacturer's Valve Specifications

For close-off pressure reference Select Pro or Retrofit Technical Documentation.

Application

The BGVL kit is designed to easily attach LV and SV series actuators to Belimo Globe Valves. The tapered bonnet and notched stem design allow easy installation of the BGVL on 1/2" to 2" two-way or three-way valves in both normally open and normally closed configurations.

Operation

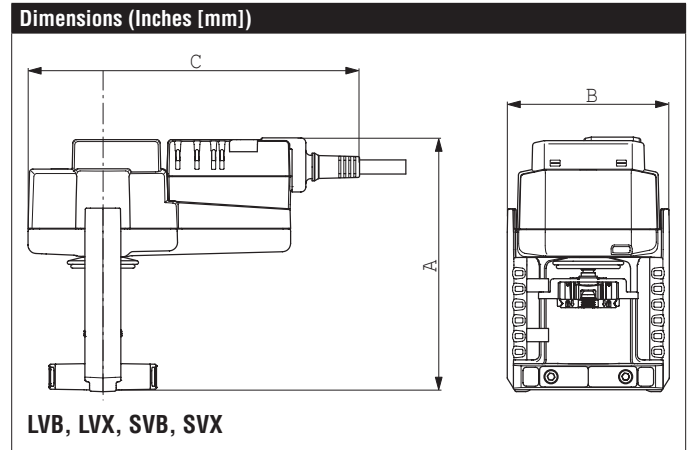
The BGVL linkage with actuator will provide 20 mm of linear travel to accommodate a wide range of valve sizes.

Default/Configuration

The default set up for a BGVL linkage will be factory installed along with a LV or SV series actuator. Included in the kit will be all the necessary hardware to facilitate mounting to the Belimo Globe Valve.

Suitable Actuators

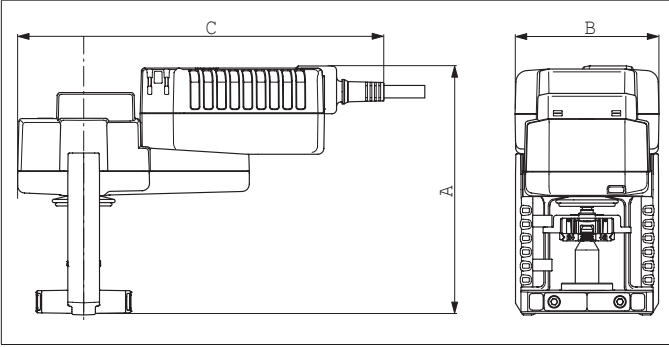
	Non-Spring	Electronic fail-safe
BGVL	LVB(X), SVB(X)	LVKB(X), SVKB(X)



A	B	C
6" [152]	3.8" [97]	7.9" [201]

Date created, 05/15/2019 - Subject to change. © Belimo Aircontrols (USA), Inc.

Dimensions (Inches [mm])



A	B	C
6.7" [171]	3.8" [97]	8.1" [206]