

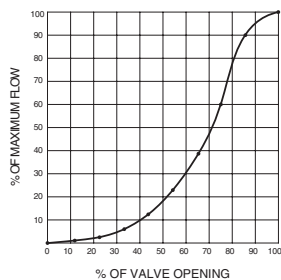
F6125HD Technical Data Sheet

Resilient Seat, 304 Stainless Steel Disc



Technical Data	
Fluid	chilled, hot water, up to 60% glycol
Flow characteristic	modified equal percentage
Controllable flow range	90° rotation
Valve Size [mm]	5" [125]
Pipe connection	for use with ANSI class 125/150 flanges
Housing	Ductile cast iron ASTM A536
Body finish	epoxy powder coating (blue RAL 5002)
Stem	416 stainless steel
Stem seal	EPDM (lubricated)
Seat	EPDM
Bearing	RPTFE
Disc	304 stainless steel
Body Pressure Rating	ANSI Class Consistent with 125, 232 psi CWP
ANSI Class	Consistent with 125
Number of Bolt Holes	8
Lug threads	3/4-10 UNC
Close-off pressure Δ ps	200 psi
Rangeability Sv	10:1 (for 30° to 70° range)
Maximum Velocity	12 FPS
Cv	1022
Weight	17 lb [7.5 kg]
Fluid Temp Range (water)	-22...250°F [-30...120°C]
Leakage rate	0%
Maintenance	maintenance-free

Flow/Mounting Details



Application

Valve is designed for use in ANSI flanged piping systems to meet the needs of bi-directional high flow HVAC hydronic applications with 0% leakage. Typical applications include cooling tower bypass, primary flow change-over systems, and large air-handler coil control. Valve face-to-face dimensions comply with API 609 & MSS-SP-67, Completely assembled and tested, ready for installation.

Jobsite Note

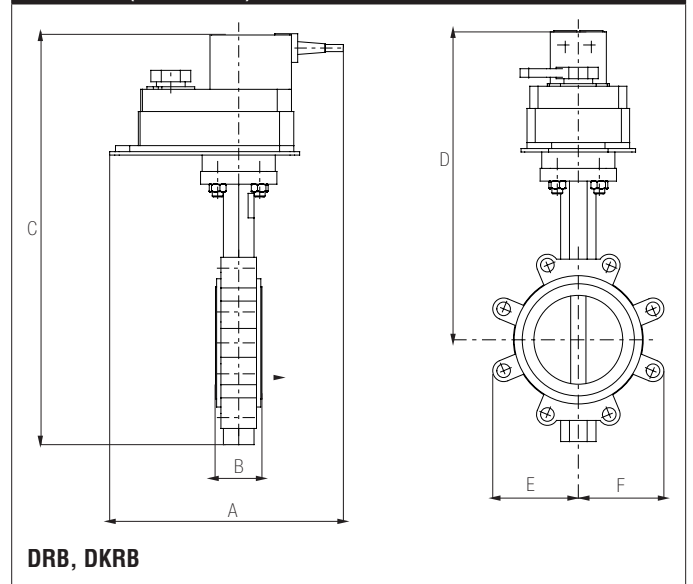
Valve assembly should be stored in a weather protected area prior to installation. Reference the butterfly valve installation instruction for additional information.

Flow/Cv								
Cv 10°	Cv 20°	Cv 30°	Cv 40°	Cv 50°	Cv 60°	Cv 70°	Cv 80°	Cv 90°
0.5	29	61	133	237	392	620	930	1022

Suitable Actuators

	Non-Spring	Electronic fail-safe
F6125HD	DRB(X), PRB(X)	PKRB(X)

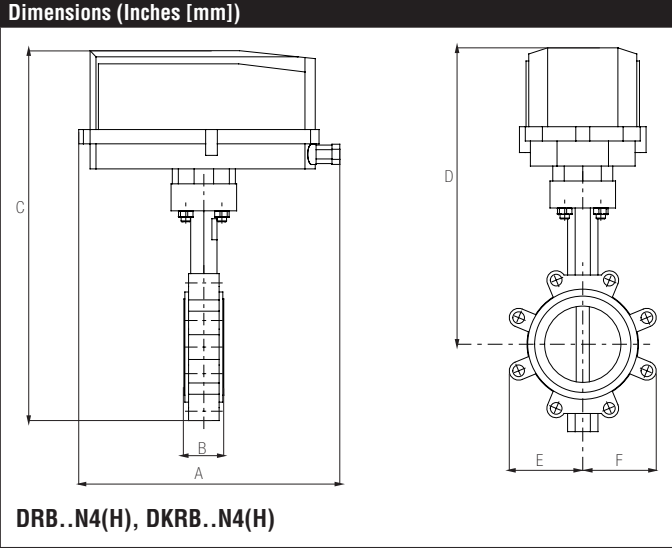
Dimensions (Inches [mm])



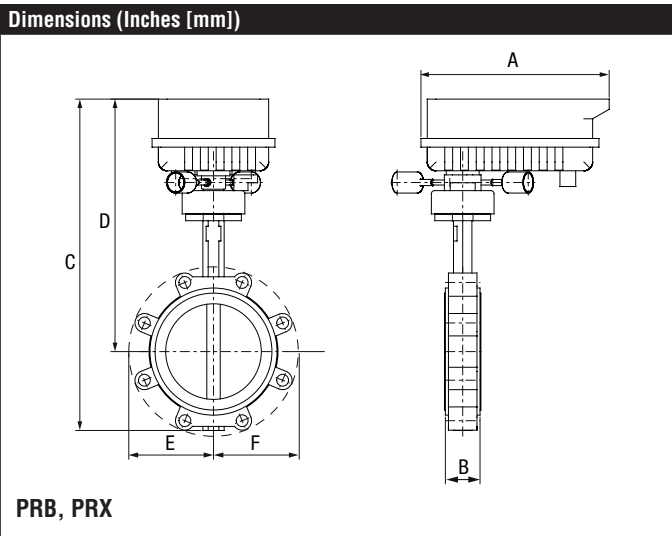
A	B	C	D	E	F
11.3" [286]	2.3" [58]	17.9" [454]	13.6" [345]	4.9" [124]	4.9" [125]

Safety Notes

WARNING: For Belimo products sold in California: these products do or may contain chemicals which are known to the State of California to cause cancer and or birth defects or other reproductive harms. For more information see www.p65warnings.ca.gov.



A	B	C	D	E	F
14.1" [358]	2.3" [58]	20.0" [509]	15.7" [399]	4.9" [124]	4.9" [125]

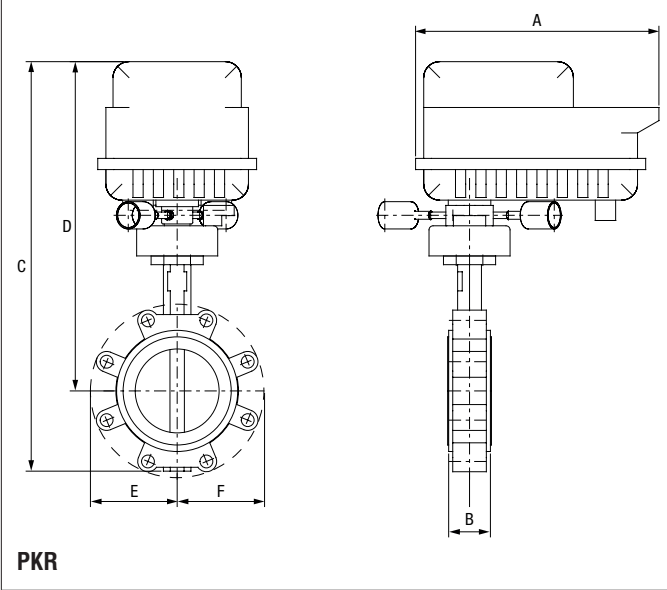


A	B	C	D	E	F
12.0" [304]	2.2" [56]	19.9" [506]	15.5" [394]	4.9" [124]	4.9" [125]

F6125HD Technical Data Sheet

Resilient Seat, 304 Stainless Steel Disc

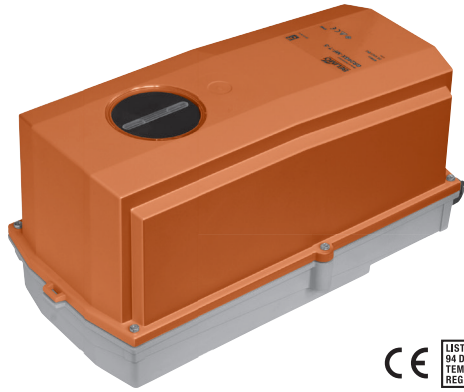
Dimensions (Inches [mm])



A	B	C	D	E	F
12.0" [304]	2.2" [56]	22.1" [562]	17.8" [453]	4.9" [124]	4.9" [125]

Date created, 09/11/2019 - Subject to change. © Belimo Aircontrols (USA), Inc.

DRCX120-3 N4 Technical Data Sheet



5-year warranty



Technical Data	
Power Supply	100...240 VAC, ±10%, 50/60 Hz, DC,
Power consumption in operation	6 W
Power consumption in rest position	2 W
Transformer sizing	11 VA (class 2 power source)
Electrical Connection	Screw terminal (for 22 to 12 AWG wire)
Overload Protection	electronic throughout 0...90° rotation
Input Impedance	100 Ω
Direction of rotation motor	reversible with built-in switch
Position indication	Mechanically, 5...20 mm stroke
Manual override	under cover
Running Time (Motor)	35 s, constant, independent of load
Ambient humidity	max. 95% r.H., non-condensing
Storage temperature	-40...176°F [-40...80°C]
Degree of Protection	IP66/67, NEMA 4X, UL Enclosure Type 4X
Housing material	Polycarbonate
Noise level, motor	45 dB(A)
Maintenance	maintenance-free
Quality Standard	ISO 9001

Control Signal must be specified at time of order. Control cannot be changed via field wiring.

Safety Notes

WARNING: For Belimo products sold in California: these products do or may contain chemicals which are known to the State of California to cause cancer and or birth defects or other reproductive harms. For more information see www.p65warnings.ca.gov.

Wiring Diagrams

✂ INSTALLATION NOTES



Provide overload protection and disconnect as required.



Actuators are provided with a numbered screw terminal strip instead of a cable.



Meets cULus requirements without the need of an electrical ground connection.



WARNING! LIVE ELECTRICAL COMPONENTS!

During installation, testing, servicing and troubleshooting of this product, it may be necessary to work with live electrical components. Have a qualified licensed electrician or other individual who has been properly trained in handling live electrical components perform these tasks. Failure to follow all electrical safety precautions when exposed to live electrical components could result in death or serious injury.

