

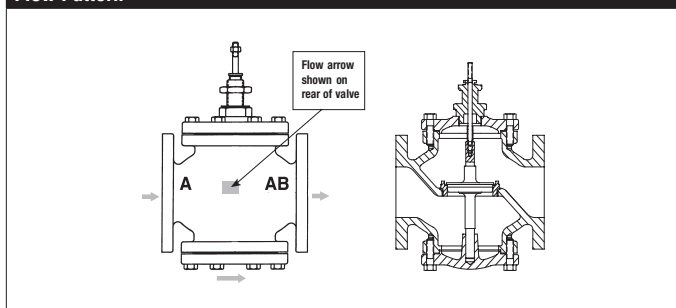
# G6100C, 2-Way, Pressure Compensated Flanged Globe Valve



### Technical Data

Media	chilled or hot water, up to 60% glycol, steam
Flow characteristic	equal percentage
Controllable flow range	stem up - open A – AB
Valve Size [mm]	4" [100]
Pipe connection	125 lb flanged
Housing	Cast iron - ASTM A126 Class B
Stem	stainless steel
Stem seal	NLP EPDM (no lip packing)
Seat	Stainless steel AISI 316
Closing element	brass
Body Pressure Rating	ANSI Class 125, up to 175 psi below 150°F
ANSI Class	125
Number of Bolt Holes	8
Maximum Inlet Pressure (Steam)	35 psi [241 kPa]
Max Differential Pressure (Steam)	15 psi [103 kPa]
Rangeability Sv	98:1
Cv	170
Weight	125.69 lb [57 kg]
Media Temp Range (water)	32...338°F [0...138°C]
Leakage rate	ANSI Class III
Maintenance	repack/rebuild kits available

### Flow Pattern



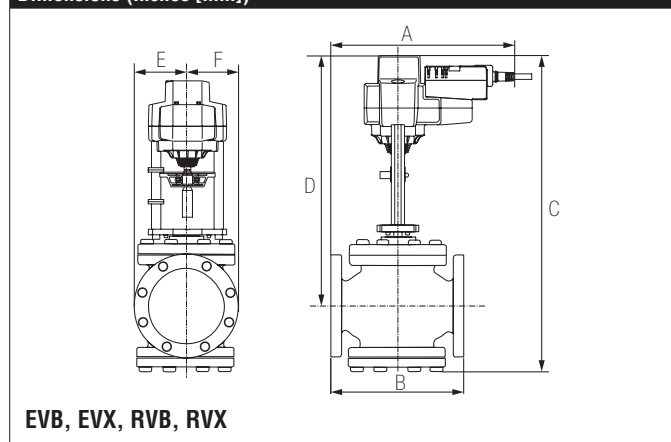
### Application

This valve is typically used in large air handling units on heating or cooling coils. This valve is suitable for use in a hydronic system with variable flow. Bronze or stainless steel trim valves can be used for steam applications, depending on actuator and close-off combination.

### Suitable Actuators

	Non-Spring	Spring	Electronic fail-safe
G6100C	EVB(X)	2*AFB(X)	AVKB(X)

### Dimensions (Inches [mm])



EVB, EVX, RVB, RVX

A	B	C	D	E	F
13.7" [349]	13" [330]	8135	19.8" [502]	4.5" [114]	

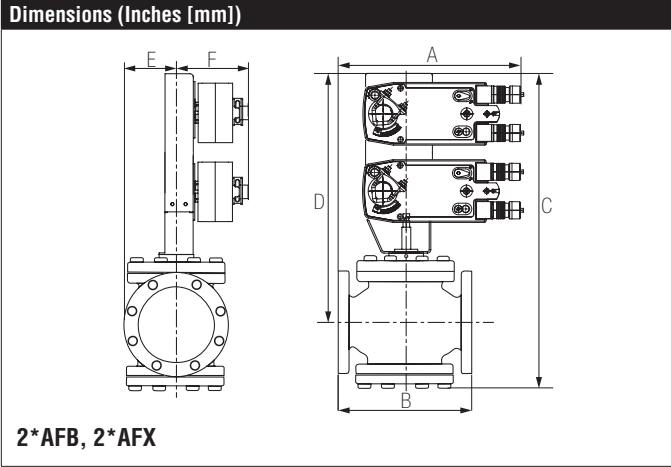
### Safety Notes

⚠ WARNING: For Belimo Products sold in California, these Products do or may contain chemicals which are known to the State of California to cause cancer and or birth defects or other reproductive harms. For more information see [www.p65warnings.ca.gov](http://www.p65warnings.ca.gov).

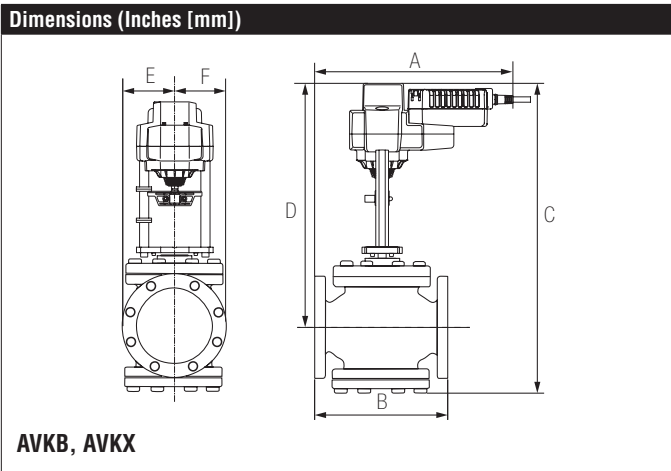
### Piping

The valves should be mounted in a weather-protected area in a location that is within the ambient limits of the actuator. Allow sufficient room for valve with actuator and for service. The preferred mounting position of the valve is with the valve stem vertical above the valve body, for maximum life. However, the assemblies can be mounted with valve stem vertical above the valve or up to 45 degrees in relation to the horizontal pipe. The actuators should never be mounted underneath the valve, as condensation can build up and result in a failure of the actuators. Do not reverse flow direction.

# G6100C, 2-Way, Pressure Compensated Flanged Globe Valve



A	B	C	D	E	F
13.7" [349]	13" [330]	30" [762]	23.2" [590]	4.5" [114]	5.3" [135]



A	B	C	D	E	F
13.7" [349]	13" [330]	26.6" [676]	19.8" [502]	4.5" [114]	

# EVX120-3

On/Off, Floating Point, Non-Spring Return, Linear, 100 to 240 VAC



### Technical Data

Power Supply	100...240 VAC, $\pm 20\%$ , 50/60 Hz
Power consumption in operation	5 W
Power consumption in rest position	1.5 W
Transformer sizing	7.5 VA (class 2 power source)
Electrical Connection	18 GA appliance cable with 1/2" conduit connector, 3 ft [1 m], degree of protection NEMA 2 / IP54
Overload Protection	electronic throughout full stroke
Electrical Protection	actuators are double insulated
Input Impedance	100 k $\Omega$ (0.1 mA), 500 $\Omega$ , 1000 $\Omega$ (on/off)
Position Feedback	No Feedback
Stroke	0.75" [19 mm]
Actuating force motor	562 lbf [2500 N]
Direction of rotation motor	reversible with built-in switch
Position indication	Mechanically, with pointer
Manual override	5 mm hex crank (3/16" Allen), supplied
Running Time (Motor)	default 90 s, variable 90 or 150 s
Ambient humidity	max. 95% r.H., non-condensing
Ambient temperature	-22...122°F [-30...50°C]
Storage temperature	-40...176°F [-40...80°C]
Degree of Protection	IP54, NEMA 2, UL Enclosure Type 2
Housing material	Die cast aluminium and plastic casing
Agency Listing	cULus acc. to UL60730-1A/-2-14, CAN/CSA E60730-1:02, CE acc. to 2004/108/EC and 2006/95/EC
Noise level, motor	60 dB(A)
Maintenance	maintenance-free
Quality Standard	ISO 9001
Weight	5.73 lb [2.6 kg]

† Use flexible metal conduit. Push the listed conduit fitting device over the actuator's cable to butt against the enclosure. Screw in conduit connector. Jacket the actuators input wiring with listed flexible conduit. Properly terminate the conduit in a suitable junction box. Rated impulse Voltage 800V. Type of action 1. Control pollution degree 3.

### Safety Notes

**⚠ WARNING:** For Belimo Products sold in California, these Products do or may contain chemicals which are known to the State of California to cause cancer and or birth defects or other reproductive harms. For more information see [www.p65warnings.ca.gov](http://www.p65warnings.ca.gov).

**Wiring Diagrams**

**INSTALLATION NOTES**

- Actuators with appliance cables are numbered.
- Actuators may be connected in parallel. Power consumption and input impedance must be observed.
- Meets cULus requirements without the need of an electrical ground connection.
- WARNING! LIVE ELECTRICAL COMPONENTS!** During installation, testing, servicing and troubleshooting of this product, it may be necessary to work with live electrical components. Have a qualified licensed electrician or other individual who has been properly trained in handling live electrical components perform these tasks. Failure to follow all electrical safety precautions when exposed to live electrical components could result in death or serious injury.

