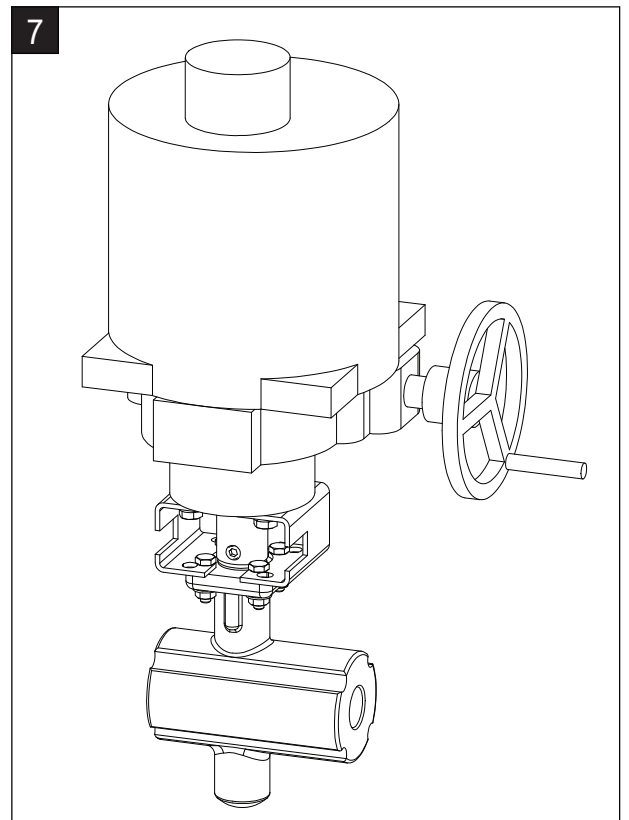
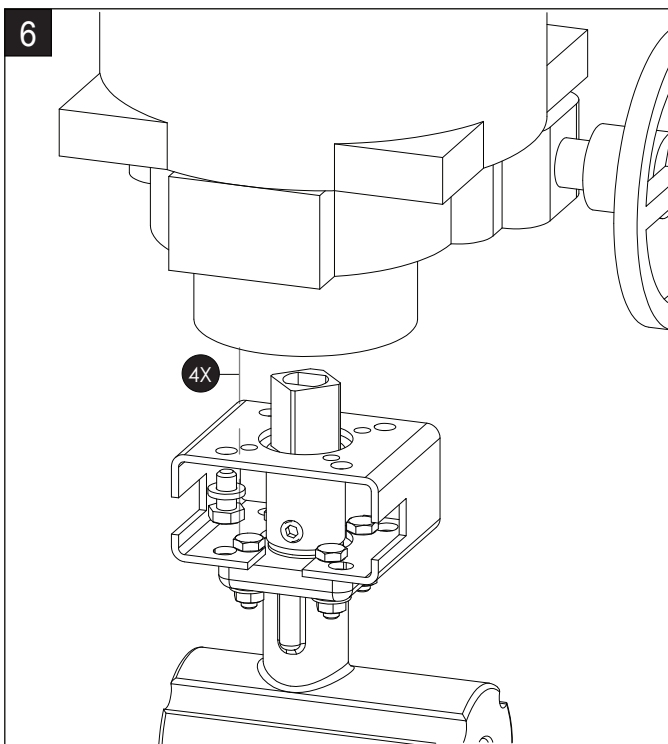
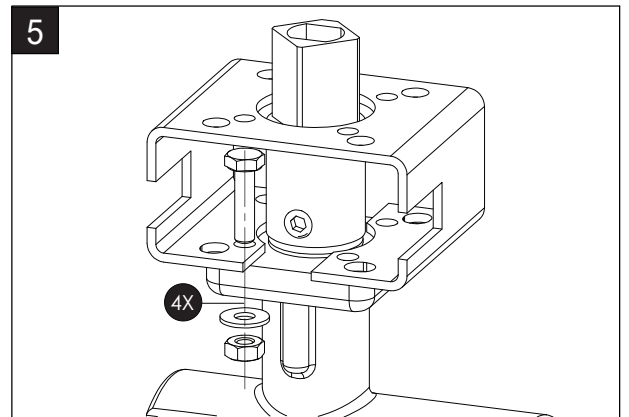
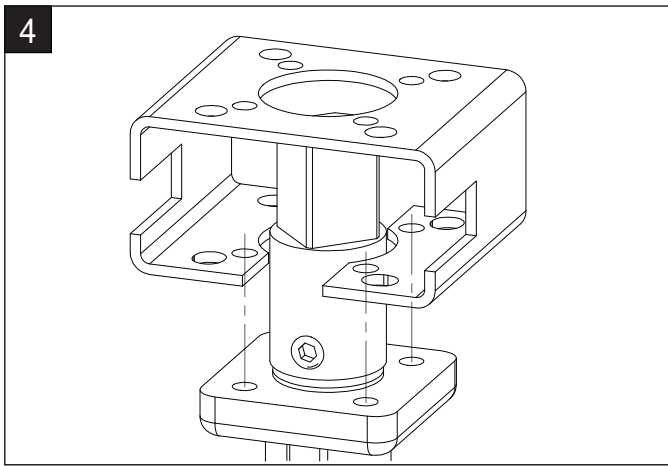
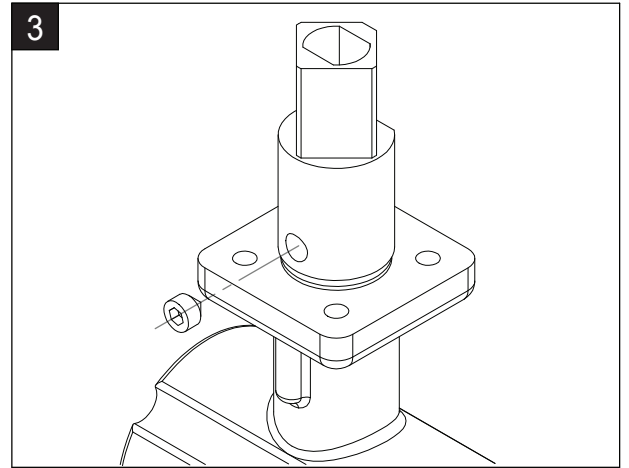
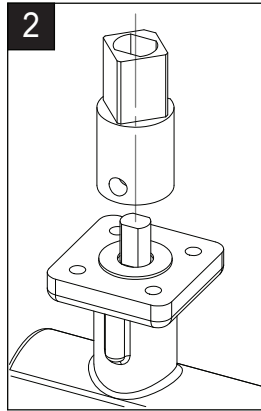
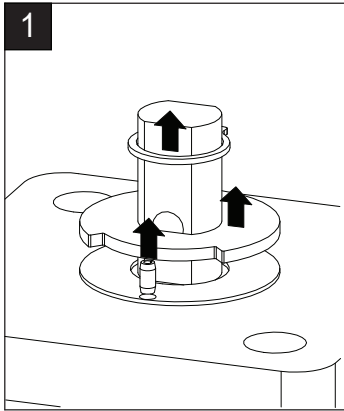
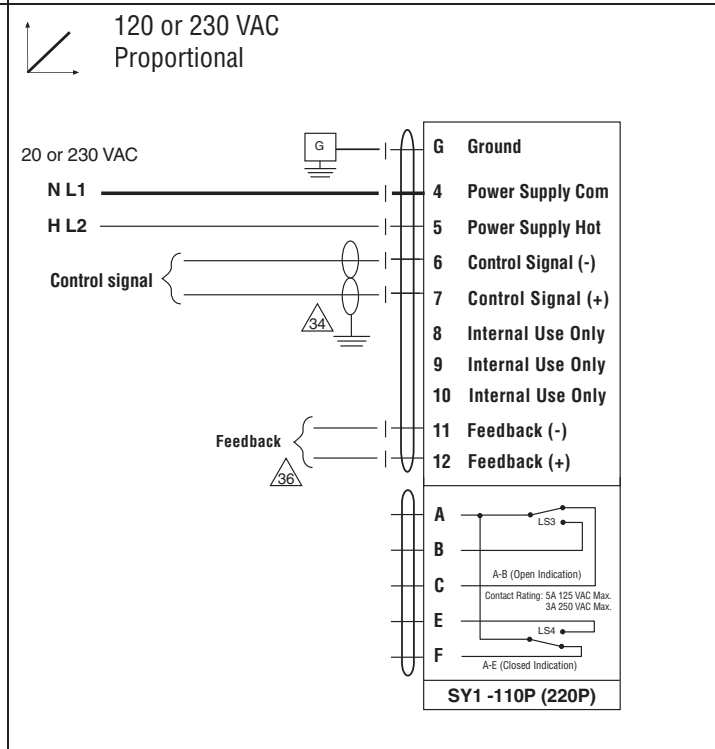
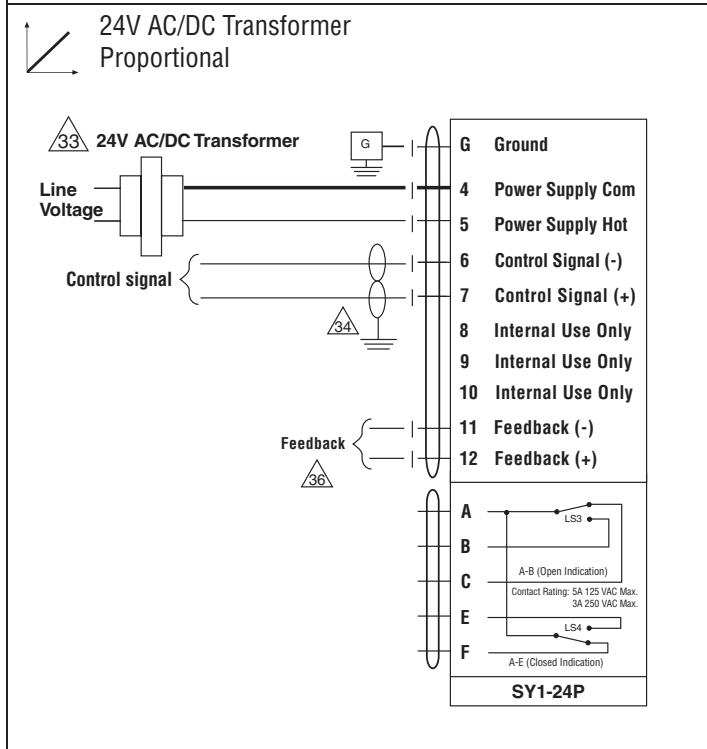
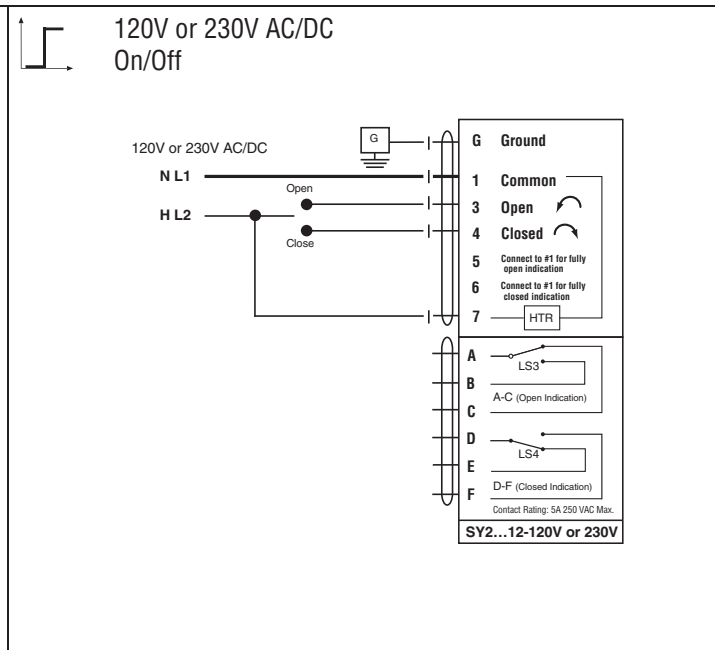
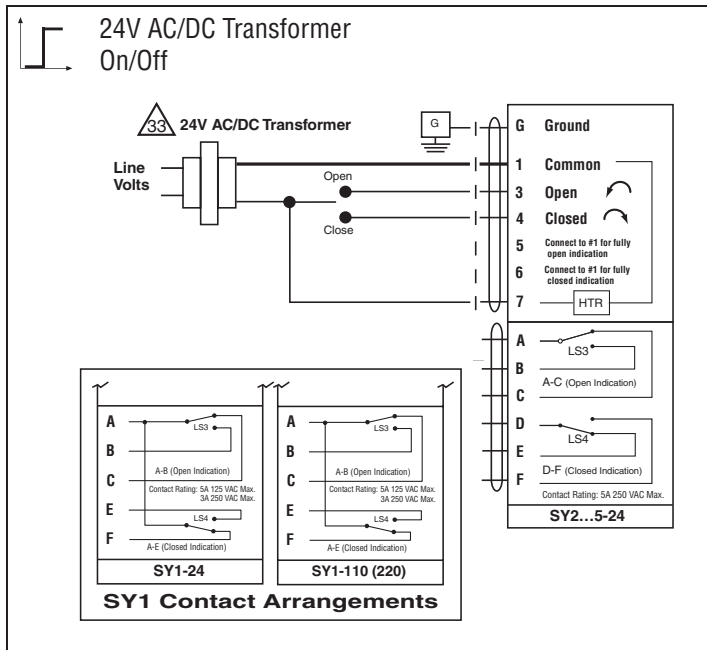


71500-00001

# SY2 Actuators with B2 V Ball Valves



WIRING DIAGRAMS



**NOTES: SY1...5-24 & SY1...24P**

Each actuator should be powered by a single, isolated control transformer.

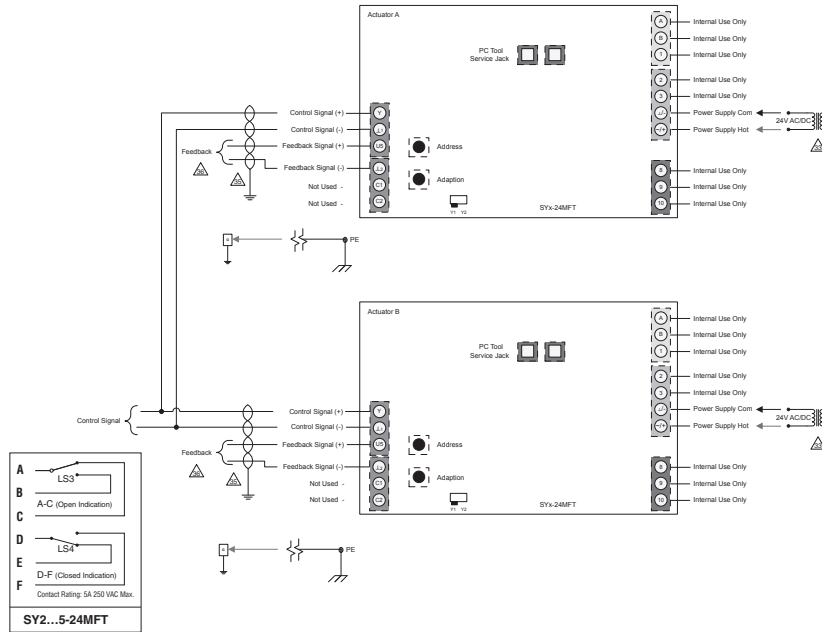
**INSTALLATION NOTES**

Observe class 1 and class 2 wiring restrictions.

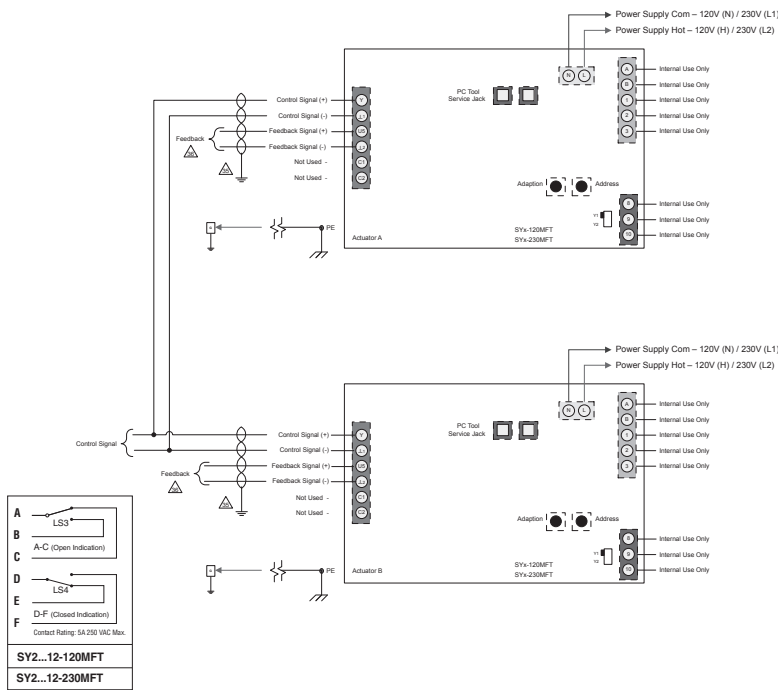
Transformer sizing = SY actuator draw X 1.25 (safety margin)  
 (Ex. SY2-24 requires 3.0A x 1.25 = 3.75A,  
 3.75A X 24 VAC = 90VA Transformer).

WIRING DIAGRAMS

Proportional, Multiple Wiring, 24V  
SY2...5-24MFT



Proportional, Multiple Wiring, 120/230V  
SY2...12-120MFT, SY2-12-230MFT



NOTES: SY2...5-24MFT



Each actuator should be powered by a single, isolated control transformer.



**INSTALLATION NOTES**

Observe class 1 and class 2 wiring restrictions.

Transformer sizing = SY actuator draw X 1.25 (safety margin)  
(Ex. SY2-24 requires 3.0A x 1.25 = 3.75A,  
3.75A X 24 VAC = 90VA Transformer).