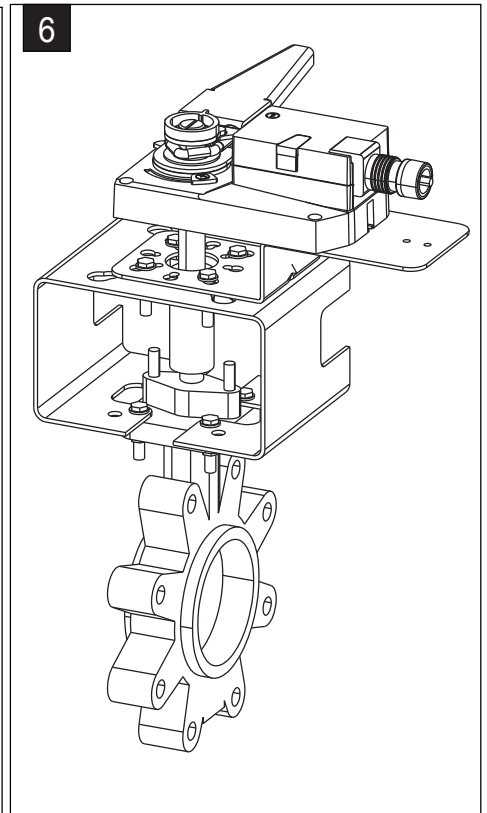
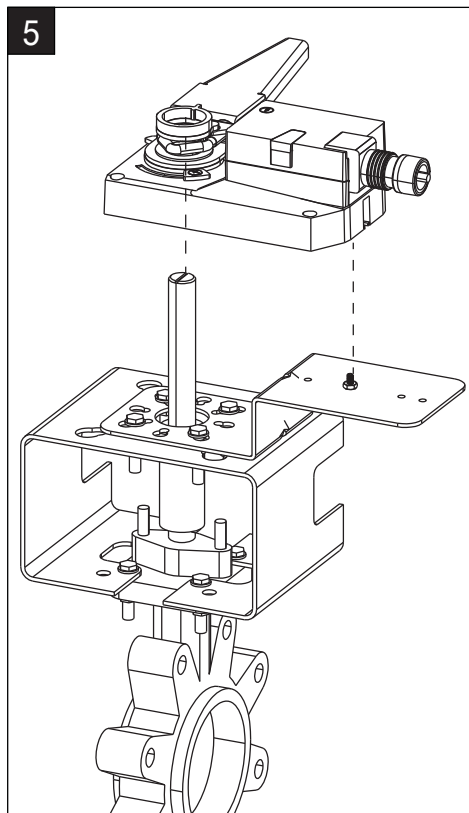
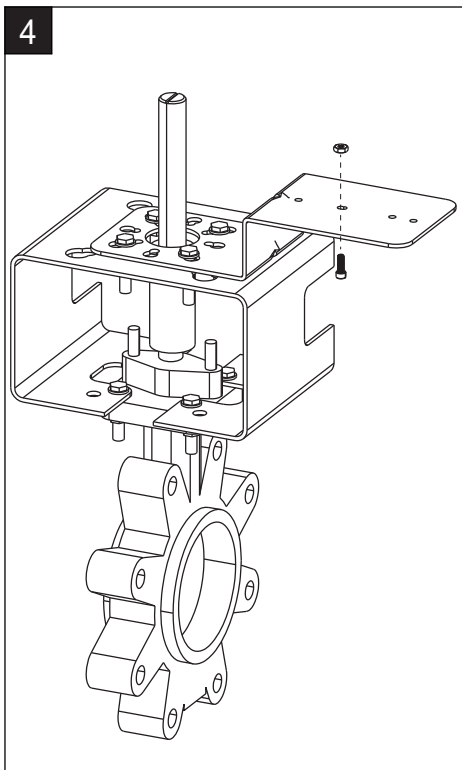
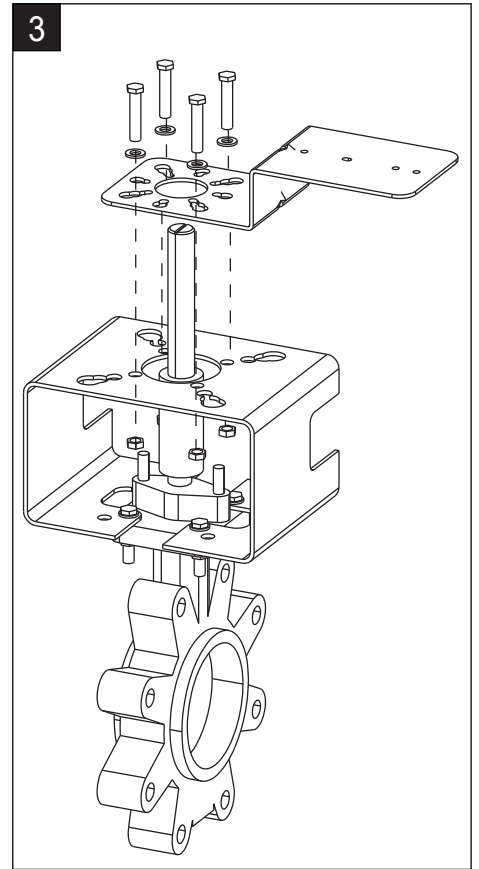
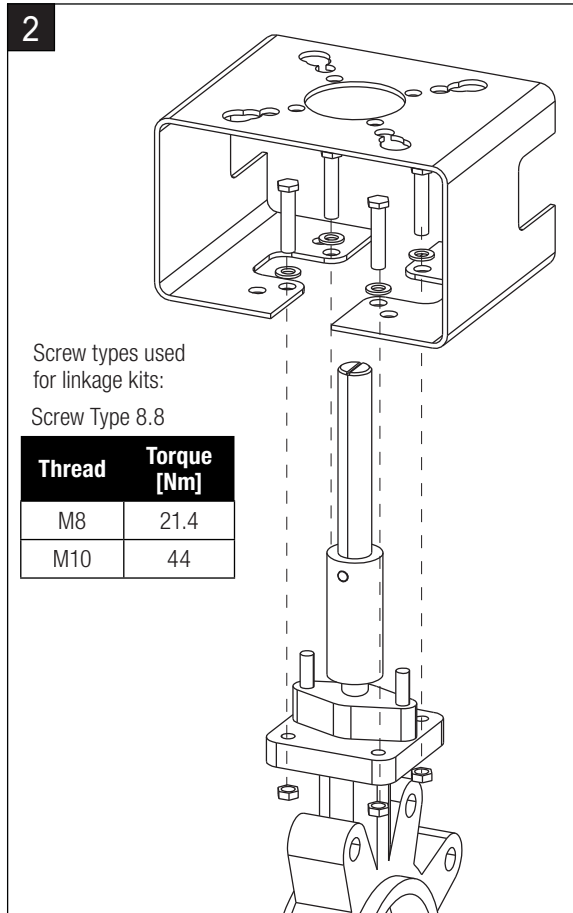
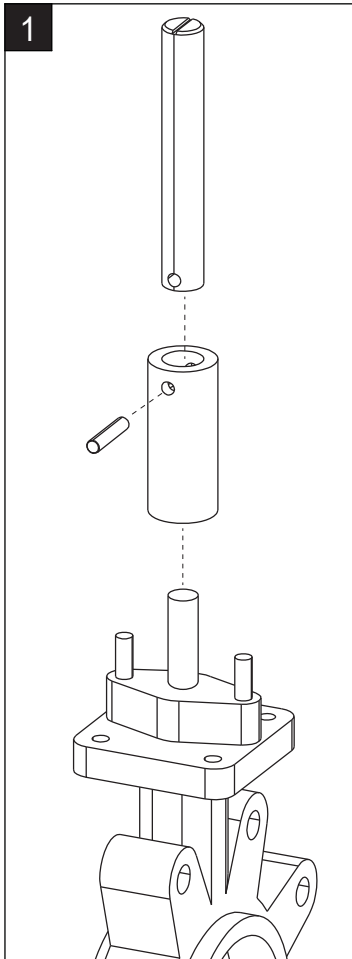
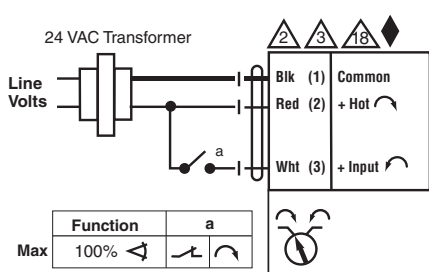


71624-00001

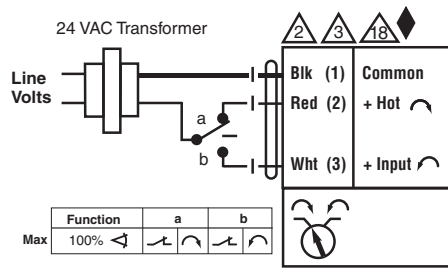
GM Actuators with F6 SHP Butterfly Valves



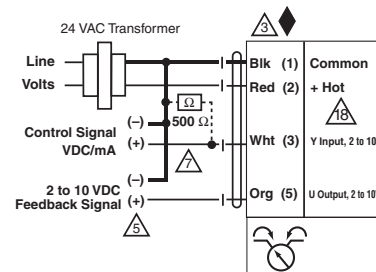
Non-Spring Return Actuator with -3 and -SR



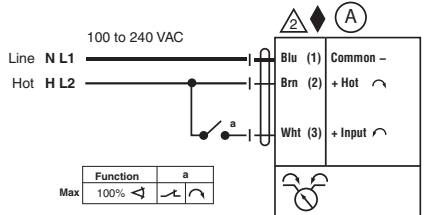
On/Off



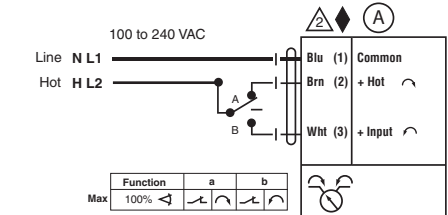
Floating Point



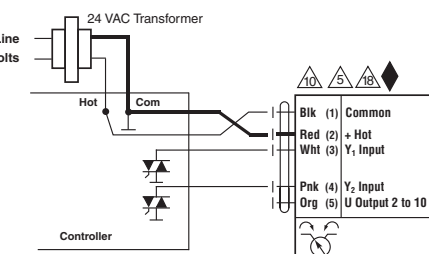
VDC / 4 to 20 mA



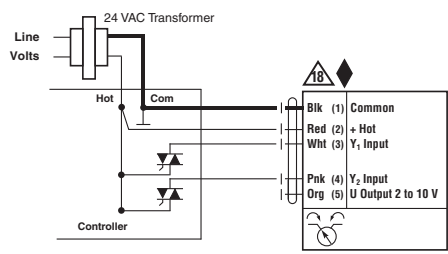
On/Off



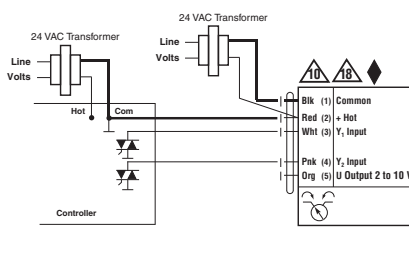
Floating Point



Triac Sink

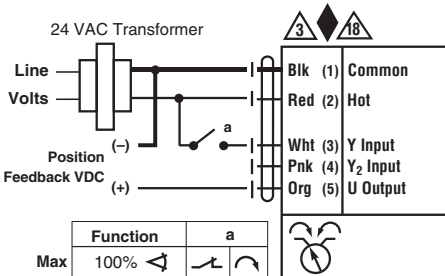


Triac Source

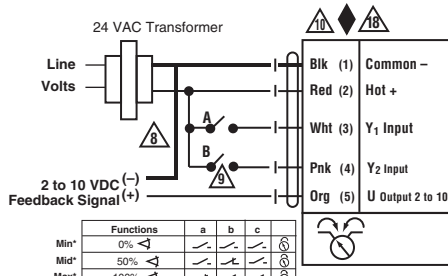


Triac Sink with Separate Transformer

Non-Spring Return Actuator with MFT



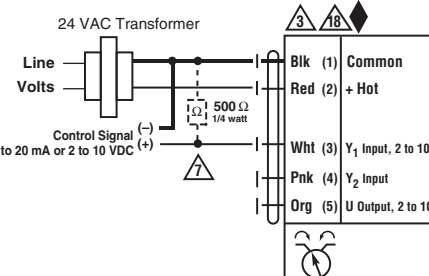
On/Off



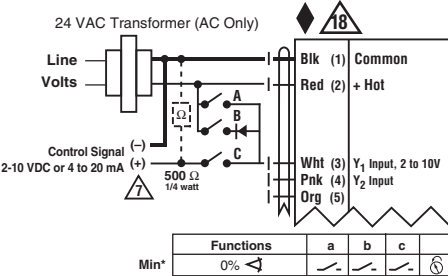
Floating Point

Notes:

- ◆ Meets cULus requirements without the need of an electrical ground connection
- Ⓐ Actuators with appliance cables are numbered.
- Ⓐ Actuators may be connected in parallel. Power consumption and input impedance must be observed.
- Ⓐ Actuators may also be powered by 24 VDC.
- Ⓐ Only connect common to neg. (-) leg of control circuits.
- Ⓐ A 500 Ω resistor converts the 4 to 20 mA control signal to 2 to 10 VDC.
- Ⓐ Control signal may be pulsed from either the Hot (Source) or Common (Sink) 24 VAC line.
- Ⓐ Contact closures A & B also can be triacs. A & B should both be closed for the triac source and open for triac sink.
- Ⓐ For triac sink the Common connection from the actuator must be connected to the Hot connection of the controller. Position feedback cannot be used with a triac sink controller. The actuator internal common reference is not compatible.
- Ⓐ Actuators with plenum rated cable do not have numbers on wires; use color codes instead.



VDC / 4 to 20 mA



Override Control Min, Mid, Max Postions

BRN
Brown
Marron
Brun
Marrom

BLU
Blue
Azul
Bleu
Azul

GRN
Green
Verde
Vert
Verde

ORG
Orange
Anaranjado
Orange
Alaranjado

PNK
Pink
Rosado
Rosa
Cor-de-ros

WHT
White
Blanco
Blanc
Branco

RED
Red
Rojo
Rouge
Vermelho

BLK
Black
Negro
Noir
Preto