

Outside Temperature Sensor

For measuring temperature in outdoor areas, in cold stores, greenhouses, production plants and warehouses.
Nema 4X / IP65 rated enclosure.


Type Overview

Type	Output signal passive temperature
01UT-5A	PT100
01UT-5B	PT1000
01UT-5E	Ni1000 (JCI)
01UT-5L	NTC10k2
01UT-5M	NTC10k3
01UT-5Q	NTC20k

Technical Data

Electrical Data	Electrical connection	removable spring loaded terminal block max. 11 GA [2.5 mm ²]
	Cable entry	Cable gland with strain relief Ø6...8 mm (1/2" NPT conduit adapter included)
Functional Data	Output signal passive temperature	PT100 PT1000 Ni1000 (JCI) NTC10k2 NTC10k3 NTC20k
	Media	air
Measuring Data	Measuring values	temperature
	Measuring range temperature	-30...120 °F [-35...50 °C]
	Accuracy temperature passive	passive sensors depending on used type PT.. = ±0.5 °F @ 32 °F [±0.3 °C @ 0 °C] Ni.. = ±0.7 °F @ 32 °F [±0.4 °C @ 0 °C] NTC.. = ±0.3 °F @ 77 °F [±0.2 °C @ 25 °C]
Materials	Cable gland	PA6, black
	Mounting plate	lexan, silvergray RAL7001
	Housing	cover: lexan, gray base: lexan, gray seal: 0467 NBR70, black

Safety Data	Ambient humidity	85% RH non-condensing
	Ambient temperature	-30...120 °F [-35...50 °C]
	Medium temperature	-30...120 °F [-35...50 °C]
	Housing surface temperature	max. 195°F [90°C]
	Protection class IEC/EN	III safety extra-low voltage (selv)
	Protection class UL	UL Class 2 Supply
	EU Conformity	CE-Kennzeichnung
	Certification IEC/EN	IEC/EN 60730-1 and IEC/EN 60730-2-9
	Certification UL	cULus acc. to UL60730-1A/-2-9, CAN/CSA E60730-1:02/-2-9, CE acc. to 2004/108/EC and 2006/95/EC, NEMA 4X, IP65, UL Enclosure Type 4X
	Degree of protection IEC/EN	IP65
	Degree of protection NEMA/UL	NEMA 4X
	Quality Standard	ISO 9001

Safety Notes


The installation and assembly of electrical equipment should only be performed by authorized personnel.

This device has been designed for use in stationary heating, ventilation and air conditioning systems and must not be used outside the specified field of application. Unauthorised modifications are prohibited. The product must not be used in relation with any equipment that in case of a failure may threaten human, animals or assets.

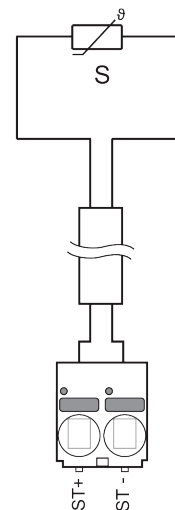
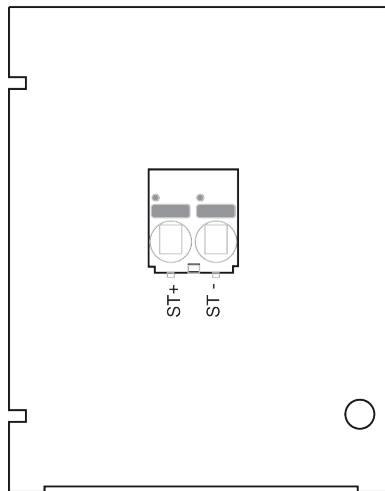
Ensure all power is disconnected before installing. Do not connect to live/operating equipment.

Please comply with

- Local laws, health & safety regulations, technical standards and regulations
- Condition of the device at the time of installation, to ensure safe installation
- This data sheet and installation manual

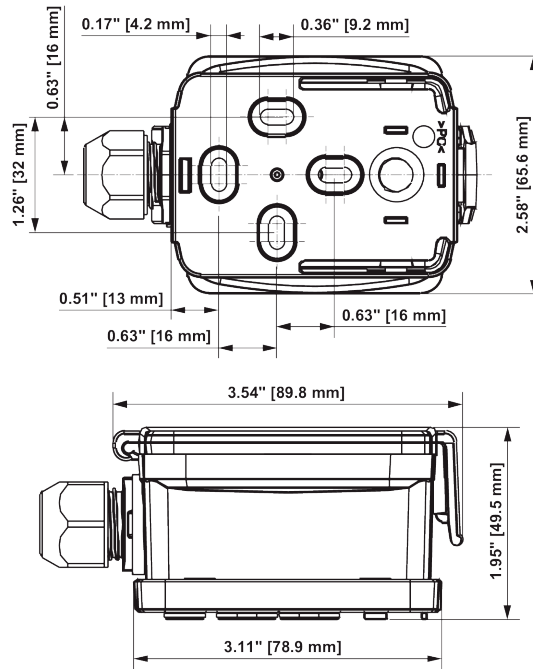
Scope of delivery

mounting plate
dowel
screws
1/2" NPT conduit adapter

Wiring Diagram


Dimensions

Dimensions



Type	Probe length	Weight
01UT-5A	-	0.19 lb [0.090 kg]
01UT-5B	-	0.19 lb [0.090 kg]
01UT-5E	-	0.19 lb [0.090 kg]
01UT-5L	-	0.19 lb [0.090 kg]
01UT-5M	-	0.19 lb [0.090 kg]
01UT-5Q	-	0.19 lb [0.090 kg]